



INBOARD & STERNDRIVE DRIVE SYSTEM PARTS



Power Trim Hoses

Our Custom Made "Marine Grade" power trim hoses are manufactured from the latest materials to provide an excellent extended service life. Our hoses feature an abrasion resistant coating over a marine grade stainless steel braid to help reduce corrosion causing electrolysis and provide a high burst pressure rating. Marine grade stainless steel tubing and fittings are all custom made so each hose is an exact fit for each specific application.

Power Trim Hoses - Mercruiser



9-71500
Hose, Power trim
Replaces: Mercruiser 32-86036T, Q
Fits: Port & Starboard up and down lines, MC-I s/n 6225576 and below and MC II, III, 215E/H, TR, and TRS



9-71501
Hose, Power trim
Replaces: Mercruiser 32-45973
Fits: Trim Cyl. To connector block, Starboard - up pressure



9-71502
Hose, Power trim
Replaces: Mercruiser 32-45974
Fits: Trim Cyl. To connector block, Port - up pressure 120, 140, 160 drives




9-71503
Hose, Power trim
Replaces: Mercruiser 32-55816
Fits: Trim Pump to connector block, 18 in., for MC-I inline engines s/n 2763442-6225576



9-71504
Hose, Power trim
Replaces: Mercruiser 32-59841
Fits: Trim pump to connector block 44 in., for MC-I w/ V-8



9-71505
Hose, Power trim
Replaces: Mercruiser 32-59842
Fits: Reverse lock valve to connector block 29-1/2 in. for MC-I drive s/n 3780850 - 6225576



9-71506
Hose, Power trim
Replaces: Mercruiser 32-87234
Fits: Trim cylinder to connector block, use w/trim cyl. Using external line Port down pressure for MC-I s/n 6225576 & below



9-71507
Hose, Power trim
Replaces: Mercruiser 32-87235
Fits: Trim cylinder to connector block, use w/trim cyl. Using external line Starboard down pressure for MC-I s/n 6225576 & below



9-71508
Hose, Power trim
Replaces: Mercruiser 32-99902 1, 32-864960
Fits: Trim cyl to connector block Starboard - down pressure for R/MR/Alpha I, & Gen II 11 1/2" hard line from 90 to fitting



9-71509
Hose, Power trim
Replaces: Mercruiser 32-99903 1, 32-864959
Fits: Trim cyl to connector block Port - down pressure for R/MR/Alpha I, & Gen II 11 1/2" hard line from 90 to fitting




9-71510
Hose, Power trim
Replaces: Mercruiser 32-99904
Fits: Trim cyl. To connector block Port & Starboard - up pressure for R, MR, Alpha I & Bravo I, II, III, X, XR, & XZ



9-71511
Hose, Power trim
Replaces: Mercruiser 32-45703
Fits: Trim cyl. To connector block Port - down pressure for 120, 140, & 160




9-71512
Hose, Power trim
Replaces: Mercruiser 32-95859, 32-861128
Fits: Trim Pump to connector block 47 -11/16 in. for R, MR, Alpha I & Bravo I, II, III, X, XR, & XZ



9-71513
Hose, Power trim
Replaces: Mercruiser 32-69871
Fits: Trim cyl. To connector block Starboard - up pressure for 120, 140, & 160



9-71514
Hose, Power trim
Replaces: Mercruiser 32-99902, 32-864589
Fits: Trim cyl. to connector block Starboard - down pressure for R, MR, Alpha I & Bravo I, II, III, X, XR, & XZ



9-71515
Hose, Power trim
Replaces: Mercruiser 32-99903, 32-864588
Fits: Trim cyl. to connector block Port - down pressure for R, MR, Alpha I & Bravo I, II, III, X, XR, & XZ



9-71516
Hose, Power trim
Replaces: Mercruiser 32-95858, 32-861127
Fits: Trim Pump to connector block 45 -3/8 in. for R, MR, Alpha I & Bravo I, II, III, X, XR, & XZ



MERCURISER TRIM HOSE APPLICATIONS

| Model | Years | Serial # | Hose Connector to Reverse Lock Valve | Trim Cyl. To Conn. Port - Down Pressure | Trim Cyl. To Conn. Port - Up Pressure | Trim Cyl. To Conn. Stbd - Down Pressure | Trim Cyl. To Conn. Stbd - Up Pressure | Trim Pump to Conn. Block | Trim Pump to Conn. Block |
|-------------------|-----------|-------------------|--------------------------------------|---|---------------------------------------|---|---------------------------------------|--------------------------|--------------------------|
| 120/140 | 1967 | 2062141-2187468 | — | 9-71511 | 9-71502 | 9-71513 | 9-71501 | — | N/A |
| 120/140 | 1967-69 | 2187469-2791956 | — | 9-71511 | 9-71502 | 9-71513 | 9-71501 | — | N/A |
| 120/140 | 1970-73 | 2791957-3780849 | — | 9-71500 | 9-71500 | 9-71500 | 9-71500 | 9-71503 | N/A |
| 120/140 | 1974-82 | 3780850-6225576 | 9-71505 | 9-71500 (1) | 9-71500 | 9-71500 (1) | 9-71500 | 9-71503 | N/A |
| 120/140 | 1974-82 | 3780850-6225576 | 9-71505 | 9-71506 (2) | 9-71507 | 9-71507 (2) | 9-71500 | 9-71503 | N/A |
| 470/485 | 1976-82 | 4208730-6225575 | 9-71505 | 9-71500 (1) | 9-71500 | 9-71500 (1) | 9-71500 | 9-71503 | N/A |
| 470/485 | 1976-82 | 4208730-6225575 | 9-71505 | 9-71506 (2) | 9-71507 | 9-71507 (2) | 9-71500 | 9-71503 | N/A |
| 160 | 1967 | 2065190-2182197 | — | 9-71511 | 9-71502 | 9-71513 | 9-71501 | — | N/A |
| 160 | 1967-69 | 2182198-2763441 | — | 9-71511 | 9-71502 | 9-71513 | 9-71501 | — | N/A |
| 165 | 1970-73 | 2763442-3780849 | — | 9-71500 | 9-71500 | 9-71500 | 9-71500 | 9-71503 | N/A |
| 165 | 1974-81 | 3780850 & Up | 9-71505 | 9-71500 (1) | 9-71500 | 9-71500 (1) | 9-71500 | 9-71503 | N/A |
| 165 | 1974-81 | 3780850 & Up | 9-71505 | 9-71506 (2) | 9-71507 | 9-71507 (2) | 9-71500 | 9-71503 | N/A |
| 888 | 1974-2004 | 3784375 & Up | 9-71505 | 9-71500 | 9-71500 | 9-71500 | 9-71500 | 9-71504 | N/A |
| 225/233 | 1974-77 | 3856268 & Up | 9-71505 | 9-71500 | 9-71500 | 9-71500 | 9-71500 | 9-71504 | N/A |
| 898/228/250/260 | 1977-82 | 4782330-6225576 | 9-71505 | 9-71500 (1) | 9-71500 | 9-71500 (1) | 9-71500 | 9-71504 | N/A |
| 898/228/250/260 | 1977-82 | 4782330-6225576 | 9-71505 | 9-71506 (2) | 9-71507 | 9-71507 (2) | 9-71500 | 9-71504 | N/A |
| R/MR/Alpha I / SS | 1983-90 | 6225577 & Up | — | 7-71515 (3) | 9-71510 | 9-71514 (3) | 9-71510 | 9-71516 | 9-71512 |
| R/MR/Alpha I / SS | 1983-90 | 6225577 & Up | — | 9-71509 (4) | 9-71510 | 9-71508 (4) | 9-71510 | 9-71516 | 9-71512 |
| Alpha I Gen II | 1991-2004 | 0D469859 & Up | — | 9-71509 | 9-71510 | 9-71508 | 9-71510 | 9-71516 | 9-71512 |
| Bravo I/II/III | 1988-95 | 0B664190-0F345867 | — | 7-71515 | 9-71510 | 9-71514 | 9-71510 | 9-71516 | 9-71512 |
| Blackhawk | 1988-95 | 0F186717 & Up | — | 7-71515 | 9-71510 | 9-71514 | 9-71510 | 9-71516 | 9-71512 |
| II (1.78) | 1968-69 | 2398798-2671321 | — | 9-71500 | 9-71500 | 9-71500 | 9-71500 | NLA | N/A |
| III | 1968-72 | 2373127-3002613 | — | 9-71500 | 9-71500 | 9-71500 | 9-71500 | — | N/A |
| 215E/H | 1970-72 | 2909035-2915034 | — | 9-71500 | 9-71500 | 9-71500 | 9-71500 | NLA | N/A |
| TR/TRS | 1973-93 | 3377316 & Up | — | 9-71500 (1) | 9-71500 | 9-71500 (1) | 9-71500 | — | N/A |
| TR/TRS | 1973-93 | 3377316 & Up | — | — | 9-71500 | — | 9-71500 | — | N/A |

Foot Notes: (1) Internal lines (2) External Trim Lines (3) Use w/ 15-9/16" long trim tube (4) Use w/ 16-3/16" long trim tube


Power Trim Hoses - OMC



9-71601
Hose, Power trim
Replaces: OMC 983945
Fits: Pump to manifold 1986



9-71608
Hose, Power trim
Replaces: OMC 986148, 3853925
Fits: Manifold to cyl. Port - up
for King Cobra 1990-94



9-71609
Hose, Power trim
Replaces: OMC 986150, 3853926
Fits: Manifold to cyl. Port - down
for King Cobra 1990-94

Power Trim Hoses - Volvo



9-71700
Hose, Power trim
Replaces: Volvo 850907-7
5 1/2" long



9-71701
Hose, Power trim
Replaces: Volvo 850906-9
12" long



9-71702
Hose, Power trim
Replaces: Volvo 873228
Fits: Front hose - DP & DPX



9-71703
Hose, Power trim
Replaces: Volvo 873229
Fits: Rear hose - DP & DPX



INBOARD & STERNDRIVE DRIVE SYSTEM PARTS



Bellows & Bellow Kits - Mercruiser

9-72700

Bellow
Replaces: Mercruiser 36223A2
Fits: All #1 units with out ridge (s/n 3443920 & below) 1967-72



9-72701

Bellow
Replaces: Mercruiser 60932A4
Fits: MC-1, R, MR, Alpha I, & TR/TRS units "with ridge" (s/n 3443921 & up) 1972-90



9-72702

Bellow
Replaces: Mercruiser 86840A3
Fits: Bravo & Blackhawk 1988 & newer



9-72703

Bellow
Replaces: Mercruiser 18654A1
Fits: MC-1, R, MR, Alpha I, Gen II, Bravo I, II, III & Blackhawk



9-72704

Bellow
Replaces: Mercruiser 816431A1
Fits: Alpha 1 Gen II 1991 & newer



9-72705

Bellow
Replaces: Mercruiser 74639A2
Fits: All Mercruiser sterndrives utilizing a drive unit shift cable



9-72810

Tube, Exhaust
Replaces: Mercruiser 78458A1
Fits: R, MR, Alpha 1, Gen II, Bravo & Blackhawk 1983 & newer



9-72900

Transom Seal Kit
Replaces: Mercruiser 30-803099T1
For: 1991-2005 Alpha I Gen II s/n D469859 & Up



9-72901

Transom Seal Kit
Replaces: Mercruiser 30-803098T1
For: 1983-90 R/MR/Alpha I w/exhaust tube s/n 6225577 & Up



9-72902

Transom Seal Kit
Replaces: Mercruiser 30-803097T1
For: 1983-90 R/MR/Alpha I with exhaust bellows s/n 6225577 & Up



9-72903

Transom Seal Kit
Replaces: Mercruiser 30-803100T1
For: 1988-2005 Bravo I/II/III s/n B664190 & Up, & 1994-95 Blackhawk s/n F186717 & Up



9-73001

Hose, Water Intake
Replaces: Mercruiser 32-32461
Fits: MC1, R, MR Alpha w/ 5/8" ID



9-73002

Hose, Water Intake
Replaces: Mercruiser 32-41725-33
Fits: MR, Alpha, GEN II w/ 3/4" ID



9-73003

Hose, Water Intake
Replaces: Mercruiser 32-43437
Fits: Bravo



9-73115

Clamp, Shift Bellows
Replaces: Mercruiser 54-866507
Fits: All Mercruiser Stern drives utilizing a drive unit shift cable



9-73116

Clip, Ground
Replaces: Mercruiser 54-86049
Fits: All Mercruiser Bellows that require ground clip



9-73117

Retainer, U-Joint Bellows
Replaces: Mercruiser 816607
Fits: Alpha 1 Gen II 1991 & newer



9-73118

Retainer, U-Joint Bellows
Replaces: Mercruiser 862209
Fits: All Bravo





Bellows & Bellow Kits - OMC

9-72706

Bellow
Replaces: OMC 914036
Fits: All Cobra Units



9-72707

Bellow
Replaces: OMC 3854127
Fits: All Cobra Units



9-72709

Bellow
Replaces: OMC 911826
Fits: All Cobra Units



9-72930
Transom Seal Kit
For: OMC Cobra drives

9-72812

Seal, Transom
Replaces: OMC 909527
Fits: OMC Stinger drives 1978-86



9-72813

Seal, Transom
Replaces: OMC 313080
For: Stringer Drives 1967-77



Bellows & Bellow Kits - Volvo

9-72708

Bellow
Replaces: Volvo 875848 / 876631
Fits: AQ200, 250, 270, 275, 280, 280DP, 290, 290DP



9-72710

Bellow
Replaces: Volvo 876294
For: AQ200-AQ290, DP 280/290



9-72709

Bellow
Replaces: Volvo 3854127
Fits: All DP-S, SX



9-72803

Bellow, Exhaust
Replaces: Volvo 876633-9
Fits: AQ175, 280, 280DP,T,PT, AQD40, AQAD40, V-8



9-72711

Bellow, Exhaust
Replaces: Volvo 3850426
For: SX Drives 1994-98



9-72931

Transom Seal Kit
For: Volvo SX Drives



9-44004

Hose Kit
Volvo 875822



9-44005

Hose Kit
Replaces: Volvo 875847 / 876632
Fits: Volvo AQ290, AQ290DP



9-44003

Hose Connection
Replaces: Volvo 832846-0
Fits: AQ140A, 145A, 165A, 170A, 175D, 200D, 225D, 260A, 290A, 280, 280L, more



9-72720

Cover plate
Replaces: Volvo 854932
Fits: Sailing boat drive
Rubber plate against hull



9-72721

Rubber ring (for clamp ring)
Replaces: Volvo 813967





INBOARD & STERNDRIVE DRIVE SYSTEM PARTS



Exhaust Tubes - Mercruiser



9-72804
Exhaust Tube
Replaces: Mercruiser 32-807458T
Fits: 4.3LX/LXH 1996-97 4.3L/LH 1998, 4.3I EFI, 262 Mag



9-72805
Tube, Exhaust
Replaces: Mercruiser 32-44348T
Fits: MCM 120/140 & GM V-6 & V-8 engines
I.D. 4" (102mm) x 4-1/4" (108mm) long



9-72807
Tube, Exhaust
Replaces:
Mercruiser
53114A1
Fits: MCM 120,
140 inline 4 cyl.
& 160, 165 inline 6 cyl.



9-72808
Tube, Exhaust
Replaces: Mercruiser 70981A3
Fits: MCM 470/485, 898, 228, 250,
260, 280, 330, & Ford 233



9-72809
Tube, Exhaust
Replaces: Mercruiser 32-90949T
Fits: MCM 470/485, 185, 205, 2228, 260
I.D. 3" (76mm) x 4" (102mm) long



9-72810
Tube, Exhaust
Replaces: Mercruiser 78458A1
Fits: R, MR, Alpha 1, Gen II, Bravo &
Blackhawk 1983 & newer



9-72811
Tube, Exhaust
Replaces: Mercruiser 32-14358T
Fits: MCM GM V-6 & V-8 engines (oval
shape)

Exhaust Tubes - OMC



9-72800
Tube, Exhaust
Replaces: OMC 3852741
Fits: 2.5L 1986, 3.0L 1986-91, 4.3L 1990-
91, 5.0 & 5.8L 1991, 5.7L 1986



9-72801
Tube, Exhaust
Replaces: OMC 3852742
Fits: 2.3L 1987-88, 4.3L 1987-89, 5.0 &
5.8L 1989-90, 5.7L 1986-91



9-72802
Tube, Exhaust
Replaces: OMC 3852696
Fits: 4.3L 1991, 5.0 & 5.8L 1991, 7.5L
1988-89, 5.7LE 1990-91 All cone
clutch 1990-91



9-72806
Tube, Exhaust
Replaces: OMC 912374
Fits: 5.7L & 7.4L 1986 & later

Exhaust Tubes - Volvo



9-42700
Hose, Exhaust
Replaces: Volvo 834751



9-72814
Tube, Exhaust
Replaces: Volvo 3863450

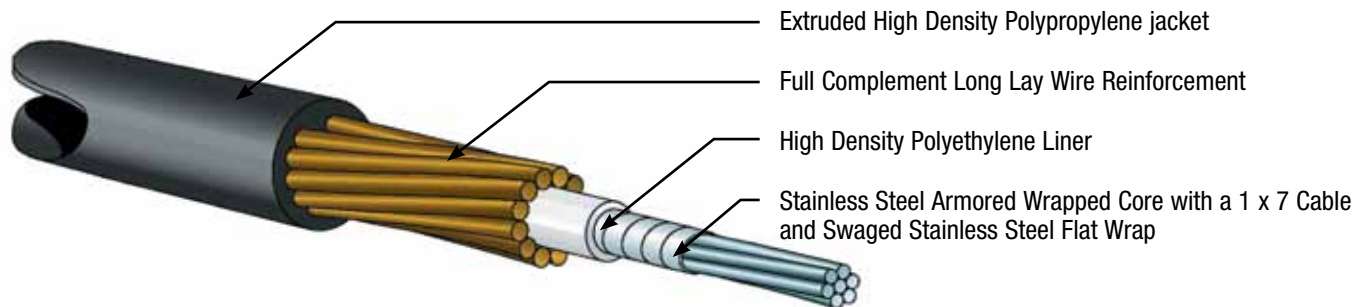


Shift Cables

Mallory Marine intermediate shift cables for Mercruiser Alpha and Bravo drives have been engineered to exceed the highest standards in the marine industry. We start with standards established by the ABYC, SAE and ASTM for the basis of our designs and specifications. We then specify the highest quality materials available, utilize state of the art equipment and manufacturing processes, and incorporate stringent quality control measures to produce these high performance cables.

The result is a smooth, reliable cable that will enhance the overall feel and operation of the stern drive shifting mechanisms.

Features:



Benefits:

- Stringent Tolerances and In-process quality controls for I.D. & O.D. dimensions reduce backlash and lost motion
- Swaged Armored core provides extremely smooth inner core surface, excellent column strength, exceptional flexibility, for a long lasting durability even in tighter routing condition
- Consistent Reliability and Performance in every cable
- All other components are manufactured from engineering grade thermoplastics, brass, and marine grade stainless steel for maximum corrosion protection and excellent UV resistance

Shift Cables

| Part # | Application |
|---------|--|
| 9-72156 | Replaces Mercruiser 815471A6, 865437A02 for Bravo applications |
| 9-72157 | Replaces Mercruiser 19543A10 for R/MR/Alpha applications |

Shift Cables & Hardware

9-72100
Shift Cable Kit
Replaces: Mercruiser 19543T2
For: Alpha 1, Gen II R/MR
w/ aft entry cable modification

9-72101
Shift Cable Kit
Replaces: Mercruiser 815471T1
For: Bravo Drives

9-72156
Shift Cable
Replaces: Mercruiser 815471A6
Bravo

9-72157
Shift Cable
Replaces: Mercruiser 19543A10
MC-I, R, MR, Alpha 1, & Gen II 1978
& newer



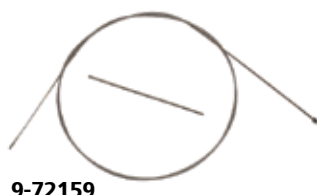
INBOARD & STERNDRIVE DRIVE SYSTEM PARTS



Shift Cables & Hardware



9-72158
Shift Cable Assembly
Replaces: Mercruiser
Fits: s/n 1562900-6225576 old style stranded core



9-72159
Kit, inner shift cable
Replaces: Mercruiser 66069A2
Fits: s/n 1562900-6225576 old style stranded core



9-72160
Shift Cable Assembly
Replaces: Mercruiser 19543A10 / 41951A1
Fits: s/n 6225577 & up old style stranded core



9-72150
Shift Cable End
Replaces: Mercruiser 43433
Fits: R, MR, Alpha, Gen II



9-72164
Screw Set
Replaces: Mercruiser 10-20518
Fits: Guide cable (2 per package)



9-72151
Shift Slide & Screw
Replaces: Mercruiser 33981T, 850752
1
Fits: R, MR, Alpha, Gen II



9-72152
Shift Slide Screw
Replaces: Mercruiser 10-31700
Fits: MC-I, R, MR, Alpha, Gen II



9-72153
Shift Arm
Replaces: Mercruiser 45518A3
Fits: MC-I, R, MR, Alpha, Gen II



9-72140
Cable, Elec Shift
Replaces: OMC 379628
Fits: 1964-77

Safety Lock Wire

Versatile safety lock wire can be used to secure a variety of fasteners and controls from nuts and bolts to check valves and switches to prevent a loose or lost component from causing a disaster. Safety wire is made of .032" diameter 304 stainless steel and comes in one pound cans.

Caution: Safety wire should not be reused.



| Part # | Description |
|---------|-------------------------------|
| 9-72000 | Safety Wire (Stainless Steel) |

Safety Wire Twist Pliers

Get three tools in one with our spring-loaded, automatic return, safety wire pliers. Tool includes cutter, wire twister and heavy-duty pair of pliers. You can grip, twist and snip safety wire faster and better than ever before. The Safety Wire Twist Plier is a versatile tool to help you do reliable safety-wiring (lockwiring) rapidly and consistently.

| Part # | Description |
|---------|--------------------------|
| 9-56005 | Safety Wire Twist Pliers |





Mallory Marine Gear Repair Kits

Mallory Marine Gear Repair Kits are the best solution to repair a lower or upper unit after a gear failure. These kits contain everything you need to do a proper repair including a complete gear set, all necessary bearings, seals, o-rings, shims, gaskets, and other related parts. No need to worry about missing an item when ordering parts just order one part number and get all of the parts you need to do the complete repair.

Made from the highest quality materials our drive parts are the best in the aftermarket. Our gears and shafts are made to the highest OEM quality standards so they install and shim quickly and easily with out any hassles.

Note: Internal drive parts should only be installed by a service professional. Never attempt to install any gears shafts or bearings with out using the proper shimming tools to assure a long lasting repair.

Engine Couplers

| | | | |
|---|--|---|--|
|  <p>9-72500 Engine Coupler Replaces: Mercruiser 14505A2 Fits: newer GM blocks one piece rear main seal that use a stud mount coupler, For MCM (GM) V-6 & V-8 (305 & 350 cid)</p> |  <p>9-72501 Engine Coupler Replaces: Mercruiser 59826A3 Fits: Ford 225,233, & 888</p> |  <p>9-72502 Engine Coupler Replaces: Mercruiser 76850A2 Fits: GM inline 4-6, V-6, & V-8 up to 350 cid</p> |  <p>9-79800 Tool, Engine Alignment Replaces: Mercruiser 91-57797A3</p> |
|  <p>9-72503 Engine Coupler Replaces: Mercruiser 18311A17, 861523A9 Fits: GM V-8 w/Bravo Drives</p> |  <p>9-72504 Engine Coupler Assembly Replaces: Mercruiser 6935A2 Fits: MCM 470 & 485</p> |  <p>9-72505 Engine Coupler Assembly Replaces: Mercruiser 97432A2 Fits: MCM 3.7L 1983-89</p> |  <p>9-72506 Engine Coupler Replaces: Mercruiser 12632A6 Fits: 120/2.5L/140/3.0L 1987-93, 3.0L/LX 1993-98</p> |
|  <p>9-72507 Engine Coupler Replaces: Mercruiser 18643A5 Fits: 3.0L 1999-up, GM V-6 & V-8 w/ MR/Alpha 1983-up</p> |  <p>9-72510 Stud Set, Coupler Replaces: Mercruiser 16-98532A1 Fits: Mercruiser Coupler to Flywheel</p> | | |



INBOARD & STERNDRIVE DRIVE SYSTEM PARTS



Transom Assembly & Yoke Assembly Parts



9-72410
Gimbal Bearing
Replaces: Mercury 30-60794A4, OMC 983937, Volvo



NEW!
9-72426
Gimbal Bearing & Seal Kit
Replaces: Mercruiser 30-60794A4 + 26-88416
Fits: MC1, R, MR, Alpha I 1974-97



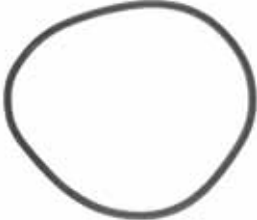
9-72412
Gimbal Bearing
Replaces: Mercruiser 30-862540A3
Fits: Bravo, Alpha 1, Gen II, 1998-up



NEW!
9-72425
Gimbal Bearing & Seal Kit
Replaces: Mercruiser 30-862540A3 + 26-88416
Fits: Bravo, Alpha Gen II, 1998-Up



9-76230
Seal, Gimbal Bearing
Replaces: Mercruiser 26-88416



9-72420
Seal, Gimbal Housing
Replaces: Mercruiser 43713
Fits: Alpha 1 Gen II, Bravo



NEW!
9-73130
Hinge Pin
Replaces: Mercruiser 77123
Fits: MC I - Alpha Drives & Gen II, w/ grease port



NEW!
9-73131
Upper Swivel Shaft, Gimbal Ring
Replaces: Mercruiser 98230A1
Fits: Alpha, Gen II, Bravo I, II, III & Vazer



9-72404
U-joint
Replaces: Mercruiser 75832T / OMC 915716 / Volvo 897707-6
Fits: Mercruiser IA/IB/IC & EZ, MC-I, R, MR, Alpha 1 (s/n 0B418819 & below) MC II, & TR/TRS



9-72405
U-Joint
Replaces: Mercruiser 75832A3, 75832T1
Fits: R/MR/Alpha 1 & Gen II (s/n 0B418819-0D869999) Bravo (s/n 0M111207 & below)



9-72406
U-Joint
Replaces: Mercruiser 805536A2
Fits: Alpha 1 Gen II (s/n OD870000-OL949788)



9-72400
Yoke
Replaces: Mercruiser 46020-1



9-72401
Yoke, Long
Replaces: Mercruiser 814819A3 / OMC 912212 / Volvo 3850815
Fits: Most Mercruiser, OMC Cobra, Volvo SX drives



9-72402
Yoke
Replaces: Mercruiser 12784
Fits: Bravo s/n 0M111207 & below, & Blackhawk



9-72403
Center Socket
Replaces: Mercruiser 39383-1/ OMC 912213, 3850813 / Volvo 3850813
Fits: Merc IA/IB/IC & EZ Shift, MC-I, R, MR, ALPHA 1, Gen II, s/n OL949778 & below, Bravo s/n 0M111207 & below, MC II, TR & TRS, OMC Cobra, Volvo SX Drive



9-72407
Yoke
Replaces: Mercruiser 853635
Fits: Alpha 1 Gen II 1998-Up



9-72408
U-Joint Assembly
Replaces: Mercruiser 814819A7
Fits: Alpha 1 Gen II 1998-Up



9-72409
U-Joint Assembly
Replaces: Mercruiser 814819A2
Fits: Alpha 1 Gen II 1991-97 R/MR/Alpha 1 1983-90



Mercury Upper Unit Drive Parts



9-79100
Gear Housing, Upper
(MC-1, R, MR, Alpha I)
Replaces: Mercury 1547-9412A18
Fits: MC-1,R,MR,Alpha I



9-79101
Gear Housing, Upper
(Alpha I, Gen II)
Replaces: Mercury 1547-815930A7
Fits: s/n OD469859-0K999999



9-79201
Gear Repair Kit, Upper
(1.32:1)
Replaces:
Mercury
43-803115T 1
Fits: 16-20 teeth, MR/
Alpha I, 1983-90



9-79202
Gear Repair Kit,
Upper (1.50:1)
Replaces:
Mercury
43-803116T
Fits: 20-22 teeth,
MR/Alpha I, 1983-90



9-79203
Gear Repair Kit,
Upper (1.98:1)
Replaces:
Mercury
43-803101T 1
Fits: 20-24 teeth,
MR/Alpha I, 1983-90



9-78120
Top Cover
Replaces: Mercury 828692A 1
Fits: Alpha I, Gen II



9-78121
Top Cover
Replaces: Mercury 94998A4
Fits: R/MR/Alpha One



9-72461
Drive Shaft
Replaces: Mercury 45-55796
Fits: Upper unit I/R/MR/Alpha I



9-72462
Drive Shaft
Replaces: Mercury 45-55796 1
Fits: Upper unit Alpha I, Gen II
sn F680000 & up



9-78100
Seal, Carrier U-joint
Replaces: Mercury 66081A 2
Fits: Upper unit, MC-1, R.MR. Alpha
I, Gen II



9-76102
Oil Seal
Replaces: Mercury
26-68493, 26-823894
Fits: Mercury U-joint short yoke



9-72154
Retaining Nut, Dr Shft Hsg
Replaces: Mercury 816811 2
Fits: V-6



9-72155
Nut, Spanner
Replaces: Mercury 79448
Fits: V-6



9-78105
Ring, Upper Unit Spacer
Replaces: Mercury 35983
Fits: Upper Unite gear assy.



9-75106
Bearing
Replaces: Mercury 31-32575T1
For: R/MR/Alpha 1 1983-90 upper
housing - upper cap



9-75117
Bearing, Upper Driveshaft
Replaces: Mercury 31-61100A1
Fits: R/MR/Alpha & Gen II Drives



9-75122
Bearing, Upper Pinion
Replaces: Mercury 31-35990A1
Fits: R/MR/Alpha & Gen II Drives



INBOARD & STERNDRIVE DRIVE SYSTEM PARTS



MerCruiser Upper Unit Drive Parts (continued)



9-75123
Kit, Drive Bearing
Replaces: MerCruiser 31-35988A12
Fits: R/MR/Alpha & Gen II Drives



9-75124
Bearing, Roller
Replaces: MerCruiser 31-66818A1
Fits: R/MR/Alpha One



9-78117
Nut
Replaces: MerCruiser 11-22339
Fits: R/MR/Alpha & Gen II Drives



9-78127
Screw, Water Pocket
Replaces: MerCruiser 10-28668
Fits: R/MR/Alpha & Gen II Drives



9-78129
Screw, Top Cover
Replaces: MerCruiser 10-98794
Fits: Alpha One, Gen II



9-78137
Washer, Splash Plate
Replaces: MerCruiser 12-29395
Fits: R/MR/Alpha One



9-78001
Outdrive Seal
Replaces: MerCruiser 12708
Fits: Bravo drives



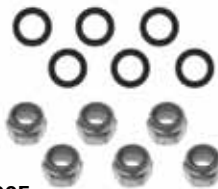
9-78005
Check Valve Kit
Replaces: MerCruiser 24-17997A 1
Fits: Bravo drives



9-78148
Linkage Shift Kit
Replaces: MerCruiser 861175A03
Fits: Bravo



9-78107
Washer
Replaces: Mercury 12-45810
Fits: Upper unit drive gear



9-72005
Nut & Washer Kit
For: MerCruiser Outdrive mounting nuts & washers for R/MR/Alpha/Gen II



9-44010
Water Tube
Replaces: MerCruiser 32-860220
Fits: Gen II



9-78139
Cover Assembly, Water Pocket
Replaces: MerCruiser 42724A3
Fits: R/MR/Alpha One



9-78140
Water Tube
Replaces: MerCruiser 32-54236
Fits: R/MR/Alpha One



9-78141
Welch Plug
Replaces: MerCruiser 19-42682
Fits: R/MR/Alpha One



SERVICE, QUALITY, VALUE, PERFORMANCE

All Mallory Marine products are backed by our industry leading 2 year parts and labor warranty.



MerCruiser Lower Unit Drive Parts



9-79125
Gear Housing, Lower (Alpha, Gen II)
Replaces: Mercruiser 1623-815822 A30
Fits: Alpha I Gen II (sn OD469859 – 0F679999)



9-79126
Gear Housing, Lower
Replaces: Mercury-Mercruiser 1623-815822A36
Fits: Alpha I Gen II (sn 0F680000 & up)



9-79127
Gear Housing, Lower (MR/Alpha)
Replaces: Mercruiser 1623-8951A 37
Fits: MR/Alpha 1984-90

9-79200
Gear Repair Kit, Lower Unit
Replaces: Mercruiser 43-803091T1
Fits: MR/Alpha I



9-72460
Drive Shaft
Replaces: Mercruiser 45-42634
Fits: Upper unit Alpha I, Gen II



9-72463
Drive Shaft
Replaces: Mercruiser 45-853648
Fits: Alpha One Gen II 1998-Up



9-78112
Drive Shaft
Replaces: Mercruiser 45-816919
Fits: Upper unit Alpha 1 Gen II 1991-95



9-78103
Pinion Nut
Replaces: Mercruiser 11-35921
Fits: Lower unit, V-6 OB, and all Sterndrives



9-78108
Washer
Replaces: Mercruiser 12-92721
Fits: Pinion nut lower unit R/MR/Alpha I, Gen II



9-72450
Prop Shaft
Replaces: Mercruiser 44-824110
Fits: R/MR/Alpha I, Gen II



9-78135
Spring Retainer, Cross Pin
Replaces: Mercruiser 24-30893
Fits: R/MR/Alpha One/Gen II



9-72475
Shift Shaft
Replaces: Mercruiser 45589A3
Fits: Upper unit all except Gen II



9-72476
Shift Shaft
Replaces: Mercruiser 77481 1
Fits: All except Gen II



9-72477
Shift Shaft
Replaces: Mercruiser 815919A1
Fits: Gen II



9-78132
Shift Crank
Replaces: Mercruiser 76865
Fits: R/MR/Alpha One/Gen II



9-78109
Retaining Clip, Shift Shaft
Replaces: Mercruiser 53-29641
Fits: R/MR/Alpha One/Gen II



9-78111
Cross Pin, Clutch to Propeller Shaft
Replaces: Mercruiser 17-30632
Fits: R/MR/Alpha One/Gen II



9-78134
Sleeve
Replaces: Mercruiser 23-67370
Fits: Alpha One Gen II





INBOARD & STERNDRIVE DRIVE SYSTEM PARTS



MerCruiser Lower Unit Drive Parts (continued)



9-76133
Bushings, Shift Shaft
Replaces: MerCruiser /
Mercury 23-30617A2
Fits: MC-1, R, MR, Alpha I



9-76134
Bushings-Shift
Replaces: Mercury 23-77631A2
Fits: Outboards 35 hp & up



9-78136
Bushings-Shift
Replaces: Mercury 23-77631A2
Fits: Outboards 35 hp & up



9-76136
Bushings Assy.
Replaces: MerCruiser /
Mercury 23-815921A 21
Fits: Gen II shift shaft s/n OD469856-
OK999999



9-72161
Bushings Kit, Bell Housing
Replaces: MerCruiser 23-805041A2
Fits: Alpha 1 Gen II F094774 & Before



9-72162
Bushings Kit, Upper Shift Shaft
Replaces: MerCruiser 23-806036A1
Fits: Alpha 1 Gen II 1991-Up
R/MR/Alpha 1 1983-90



9-78133
Shift Spool Kit
Replaces: MerCruiser 818349T1
Fits: R/MR/Alpha One/Gen II



9-72642
Carrier Assembly
Replaces: MerCruiser 807929A1,
821759A4
Fits: Alpha One Gen II 1996-Up



9-78106
Thrust Ring
Replaces: MerCruiser 68100 1
Fits: MR/Alpha/Gen II



9-75107
Bearing
Replaces: MerCruiser
31-36387A1
For: MerCruiser driveshaft



9-75111
Bearing
Replaces: MerCruiser 31-30895T
31-36387A1
Fits: Inside fwd gear on most OB &
All SD



9-75112
Bearing
Replaces: MerCruiser 31-30956T
Fits: Prop shaft bearing carrier
OB 40hp & up



9-75114
Bearing, Reverse Gear
Replaces: MerCruiser 30-88957T
Fits: R/MR/Alpha One



9-75118
Bearing, Outside Forward Gear
Replaces: MerCruiser 31-30894A1
Fits: Alpha One Gen II



9-75119
Bearing, Forward Gear
Replaces: MerCruiser 31-828439A2
Fits: Alpha One Gen II 1996-Up



9-75120
Bearing, Outer Forward Gear
Replaces: MerCruiser 31-35928T1
Fits: R/MR/Alpha One



9-75121
Bearing, Lower Drive Shaft
Replaces: MerCruiser 31-42647A1
Fits: R/MR/Alpha One/Gen II



9-75125
Bearing, Upper Drive Shaft
Replaces: MerCruiser 31-33138A1
Fits: Alpha One Gen II



9-79801
Wrench, Bearing Retainer
Replaces: MerCruiser
91-17256



9-72601
Bearing Carrier Assembly
Replaces: MerCruiser 73020A14
Fits: R/MR/Alpha One to 1983



Mercury Lower Unit Drive Parts (continued)

| | | | | |
|--|---|--|--|--|
|  <p>9-72602 Bearing Carrier Assembly Replaces: Mercury 818763A10 Fits: R/MR/Alpha One/Gen II 1983-Up</p> |  <p>9-72606 Bearing Carrier Assembly Replaces: Mercury 865876A01 /A03 Fits: Bravo III</p> |  <p>9-78143 Stud Replaces: Mercury 16-30667</p> |  <p>9-72640 Tab Washer Replaces: Mercury 14-18323 Fits: R/MR/Alpha One</p> | |
|  <p>9-72641 Tab Washer Replaces: Mercury 14-79447 Fits: R/MR/Alpha One</p> |  <p>9-78114 Insert (Port) Replaces: Mercury 93424-1 Fits: MR/Alpha</p> |  <p>9-78115 Insert (Stbd) Replaces: Mercury 93423-1 Fits: MR/Alpha</p> |  <p>9-78116 Nut Replaces: Mercury 11-817618, 11-859135 Fits: 7/16 X 20</p> | |
|  <p>9-78125 Nut Replaces: Mercury 11-45812, 11-859124 Fits: 10-32 Nylon Insert</p> |  <p>9-78126 Nut Replaces: Mercury 824519-1 Fits: Alpha One Gen II</p> |  <p>9-78130 Screw, Insert to Gear Hsg Replaces: Mercury 10-76156 Fits: R/MR/Alpha One</p> |  <p>9-78144 Lock Washer Replaces: Mercury 13-78968</p> |  <p>9-78149 O-Ring, Gear Housing Replaces: Mercury 25-822370 Fits: Bravo Lower Gear Housing</p> |

Trim Cylinder Hardware - Mercury

| | | | |
|---|--|---|---|
|  <p>9-77000 9-77000-20 (Bulk Pkg 20) Power Trim Bushing Pack Of 4 Replaces: Mercury 23-99291T Fits: R/MR/Alpha 1</p> |  <p>9-77001 9-77001-20 (Bulk Pkg 20) Bushings, trim cylinder (Pack of 4) Replaces: Mercury 23-807073 For: Bravo I,II,III, X,XR,& XZ</p> |  <p>9-77002 9-77002-20 (Bulk Pkg 20) Bushings, trim cylinder (Pack of 4) Replaces: Mercury 23-815950 1 For: Alpha I Gen II (Front & Rear)</p> |  <p>9-77100 Trim Cylinder Anchor Pin Kit Replaces: 17-44166T1 For: Bravo I,II,III, X,XR,& XZ (Rear)</p> |
|  <p>9-77101 Trim Cylinder Anchor Pin Kit Replaces: 17-815953T1 For: Alpha I Gen II (Front & Rear)</p> |  <p>9-77102 Trim Cylinder Anchor Pin Kit Replaces: 17-14873A1 For: R,MR, Alpha I (Front)</p> |  <p>9-77103 Trim Cylinder Anchor Pin Kit Replaces: 17-14872A1 For: R,MR, Alpha I (Rear)</p> |  <p>9-77200 9-77200-20 (Bulk Pkg 20) Cap, Anchor Pin Replaces: Mercury 19-14842 For: Alpha One, Bravo, & TRS</p> |



INBOARD & STERNDRIVE DRIVE SYSTEM PARTS



Trim Cylinder Hardware - Mercruiser (continued)



9-77201
9-77201-20 (Bulk Pkg 20)
Cap, Anchor Pin
Replaces: Mercruiser 19-815951
For: Alpha I Gen II (Front & Rear)



9-77003
Bushing, Trim Cylinder
Replaces: Mercruiser 23-89574
Fits: MC-1 drives 1967-82



9-77004
Bushing, Trim Cylinder (4 per pack)
Replaces: Mercruiser 23-89574
Fits: MC-1 drives 1967-82

Miscellaneous Hardware



9-72001
9-72001-10 (Bulk Pkg 10)
Nut, Stainless Steel Nylock
Replaces: Mercury 11-35888 / OMC 121731
Thread Size 1/4 X 28



9-72002
9-72002-10 (Bulk Pkg 10)
Nut, Stainless Steel Nylock
Replaces: Mercury 11-34932
Thread Size: 3/8 X 24



9-72003
9-72003-10 (Bulk Pkg 10)
Nut, Stainless Steel Nylock
Replaces: Mercury 11-45592
Thread Size: 5/16 X 24



9-72004
9-72004-10 (Bulk Pkg 10)
Nut, Stainless Steel Nylock
Replaces: Mercury 11-34933
Thread Size: 7/16 X 20

OMC Drive Parts



9-72200
Ball Gear
Replaces: OMC 908063
Fits: Stringer Drives



9-72201
Ball Gear
Replaces:
OMC 908069
Fits: Stringer Drives



9-72202
Yoke
Replaces: OMC 984264
Fits: Cobra



9-72203
Locknut
Replaces: OMC 908064
Fits: Stringer Drive Ball Gear



9-72204
Ball Gear Kit
For: OMC stringer drives



9-78013
Plug
Replaces: OMC 908062
Fits: Stringer drive, 1.748 O.D.



9-79300
Gear Housing, Lower
Replaces: Johnson/Evinrude/
OMC 439972
Fits: OMC Cobra



Lower Unit Drain Plugs



9-72650
9-72650-10 (Bulk Pkg 10)
 Drain Plug
 Replaces: Mercruiser 10-79953A2
 Fits: All MC-I, Alpha 1, Gen II, TR & TRS



9-72651
 Drain Plug (Magnetic)
 Replaces: Mercruiser 10-14834A1, 22-67892A1
 Fits: All MC-I, Alpha 1, Gen II, TR & TRS



9-72654
 Plug, Lower Unit Drain
 (magnetic)
 Replaces: OMC/ Johnson/Evinrude 318544
 Fits: 20 - V-6 & Stern drives



9-72655
 Plug, Lower Unit Drain
 (non-magnetic)
 Replaces: OMC/ Johnson/Evinrude 307551
 Fits: 20 - V-6 & Stern drives



9-72658
 Drain Plug & Gasket
 Replaces: Volvo 804262
 Fits: AQ80, 100, 200, 250, 270



9-72659
 Plug, Lower Unit Drain
 (non-magnetic)
 Replaces: OMC 309243
 Fits: OMC Cobra



9-43814
 Retainer Screw
 Replaces: Johnson/Evinrude 316563
 Fits: V-4/V-6

Prop Nut Kits & Hardware



9-73952
 Prop Nut Kit
 Replaces: Johnson/Evinrude 175267
 Fits: 400 Series Stringer drives, 2.3L & 4cyl. Cobra models



9-73953
 Prop Nut Kit
 Replaces: Johnson/Evinrude 175266
 Fits: 800 Series Stringer drives, & V6/ V8 Cobra models



9-73960
 Prop Nut Kit
 Replaces: Mercury 11-52707Q1
 Fits: Mercruiser R/MR/Alpha I & Gen II, Bravo I



9-73902
 Prop Washer
 Replaces: Mercruiser 12-31211A3
 Fits: Most Mercruiser Drives



9-73903
 Nut, Prop
 Replaces: OMC 314503
 Fits: 4 cyl models



9-73904
 Spacer, Prop Nut
 Replaces: OMC 3852350
 Fits: Cobra

Trailer Clips



9-79000
 Trailing Clips
 Replaces: OMC 174448
 Fits: Cobra



9-79001
 Trailing Clips
 Replaces: Mercruiser 817019A1, 817019Q2
 Fits: MC-I, R, MR, Alpha & Bravo



INBOARD & STERNDRIVE DRIVE SYSTEM PARTS



Seal Kits



9-74206
Seal Kit, Lower Unit
Replaces: Mercury 26-816575A3
Fits: 225 hp V-6 and Mercruiser Alpha Gen II



9-74300
Seal Kit, Lower Gear Housing
Replaces: Mercruiser 26-76868A 2
For: 1988-2005 Bravo I, II, III s/n B664190 & Up



9-74301
Seal Kit, Upper Gear Housing
Replaces: Mercruiser 26-16709A 2
For: 1988-2005 Bravo I, II, III s/n B664190 & Up, 1994-95 Blackhawk s/n F186717 & Up



9-74302
Seal Kit, Upper Gear Housing
Replaces: Mercruiser 26-88397A 1
For: 1991-2005 Alpha Gen II s/n D469859 & Up



9-74303
Seal Kit, Upper Gear Housing
Replaces: Mercruiser 26-32511A1
For: 1964-1989 IA/IB/IC/ EZ Shift/ R/MR/Alpha 1 s/n 1684188 - D469858



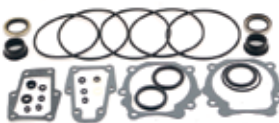
9-74304
Seal Kit, Lower Gear Housing
Replaces: Mercruiser 26-33144A2
For: 1964-1989 IA/IB/IC/ EZ Shift/ R/ MR/Alpha 1 s/n 1684188 - D469858



9-74400
Seal Kit, Gear Housing
Replaces: OMC 982946
For: V-6, V-8 800 series Stringer Units 1978-86



9-74401
Seal Kit, Gear Housing
Replaces: OMC 985612
For: Cobra, 4 cyl. 1986-90



9-74402
Seal Kit, Gear Housing
Replaces: OMC 439967 / 985613
For: Cobra, 4 cyl. 1990-93, V6/V8 1986-93



9-77900
Seal Kit, Complete Drive Unit
Replaces: Volvo 875741
Fits: 280DP / 290DP



9-77901
Seal Kit, Complete Drive Unit
Replaces: Volvo 875192
Fits: AQ200, 250, 270, 275, 280, 290



9-77902
Seal Kit, Upper Unit
Replaces: Volvo 876266
Fits: AQ200, 250, 270, 275, 280, 290



9-77903
Seal Kit, Gear Housing
Replaces: Volvo 876267
For: 280/290 DP



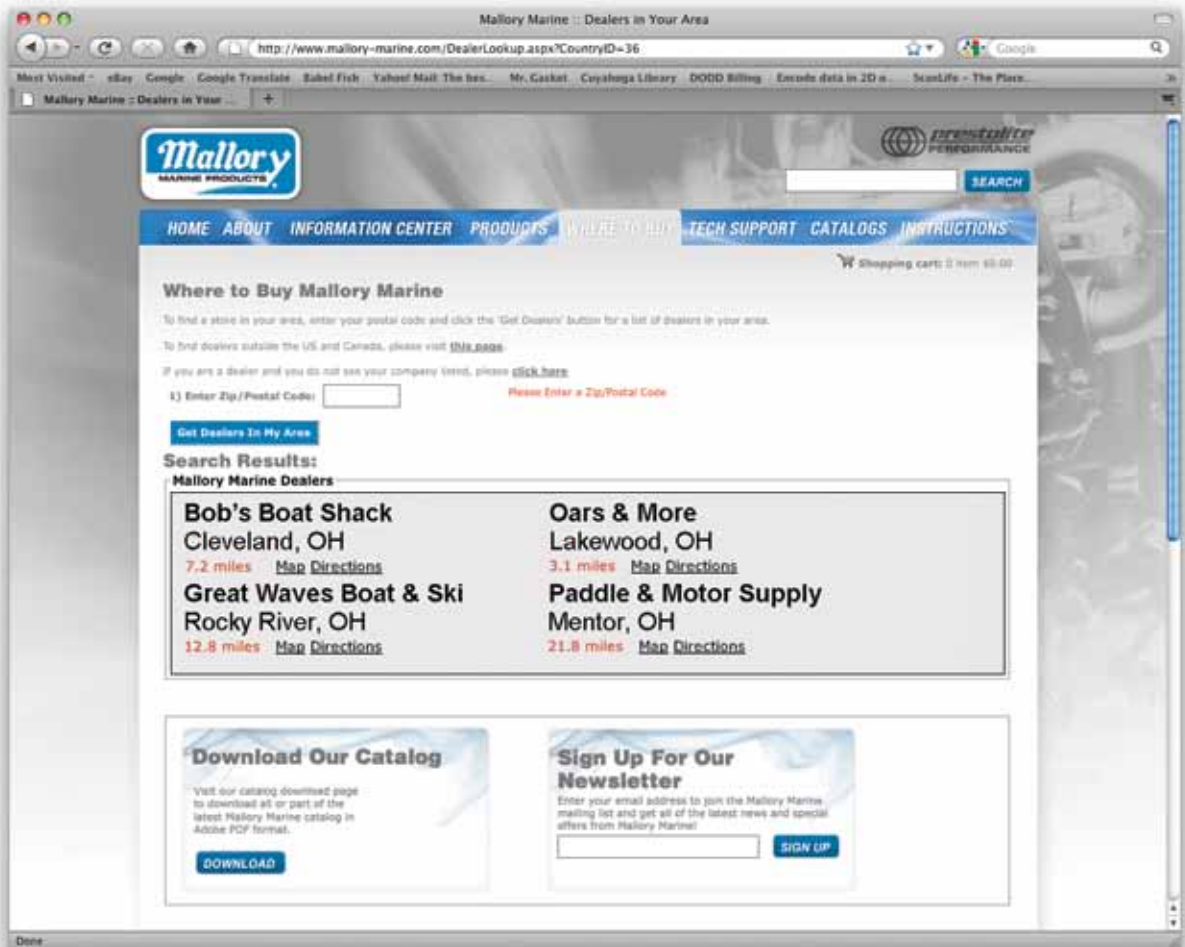
9-77904
Seal Kit, Gear Housing
Replaces: Volvo 876268
For: AQ200-AQ290



INBOARD & STERNDRIVE DRIVE SYSTEM PARTS

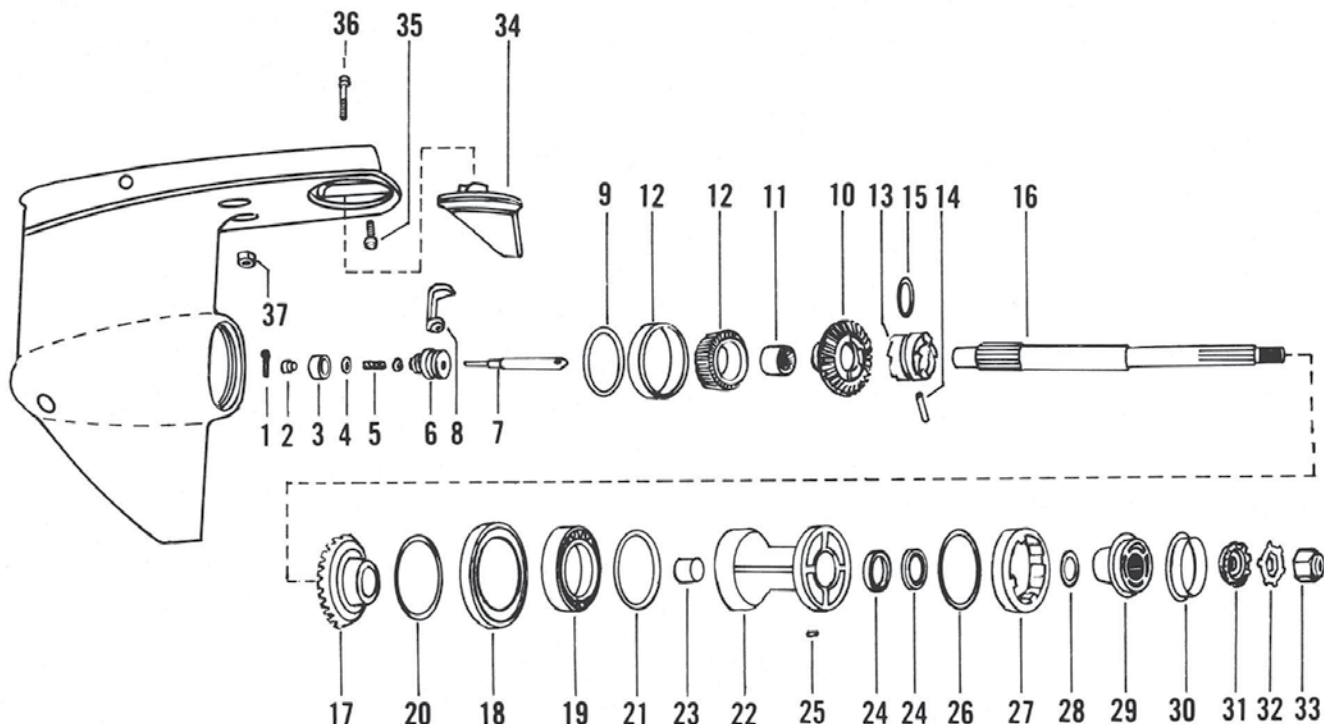


Don't get left in the wake!



Visit our website and register for our FREE national dealer locator service and drive more sales to your business.

MC-1/R PROPELLER SHAFT ASSEMBLY DIAGRAM



MC-1/R PROPELLER SHAFT COMPONENTS

- | | |
|----------------------------|------------------------------|
| 1. Cotter pin | 19. Ball bearing |
| 2. Adjusting sleeve | 20. Shim |
| 3. Spring retainer | 21. O-ring |
| 4. Washer | 22. Bearing carrier assembly |
| 5. Compression spring | 23. Roller bearing |
| 6. Spool | 24. Oil seal |
| 7. Clutch actuating shaft | 25. Locating key |
| 8. Shift crank | 26. Washer |
| 9. Shim | 27. Gear housing cover |
| 10. Forward gear assembly | 28. Thrust washer |
| 11. Roller bearing | 29. Thrust hub and washer |
| 12. Tapered roller bearing | 30. Cupped washer |
| 13. Sliding clutch | 31. Splined washer |
| 14. Cross pin | 32. Tab washer |
| 15. Retainer spring | 33. Propeller nut |
| 16. Propeller shaft | 34. Trim tab assembly |
| 17. Reverse gear assembly | 35. Screw |
| 18. Thrust ring | 36. Screw |
| | 37. Nut |



MC-1/R PROPELLER SHAFT ASSEMBLY CROSS REFERENCE

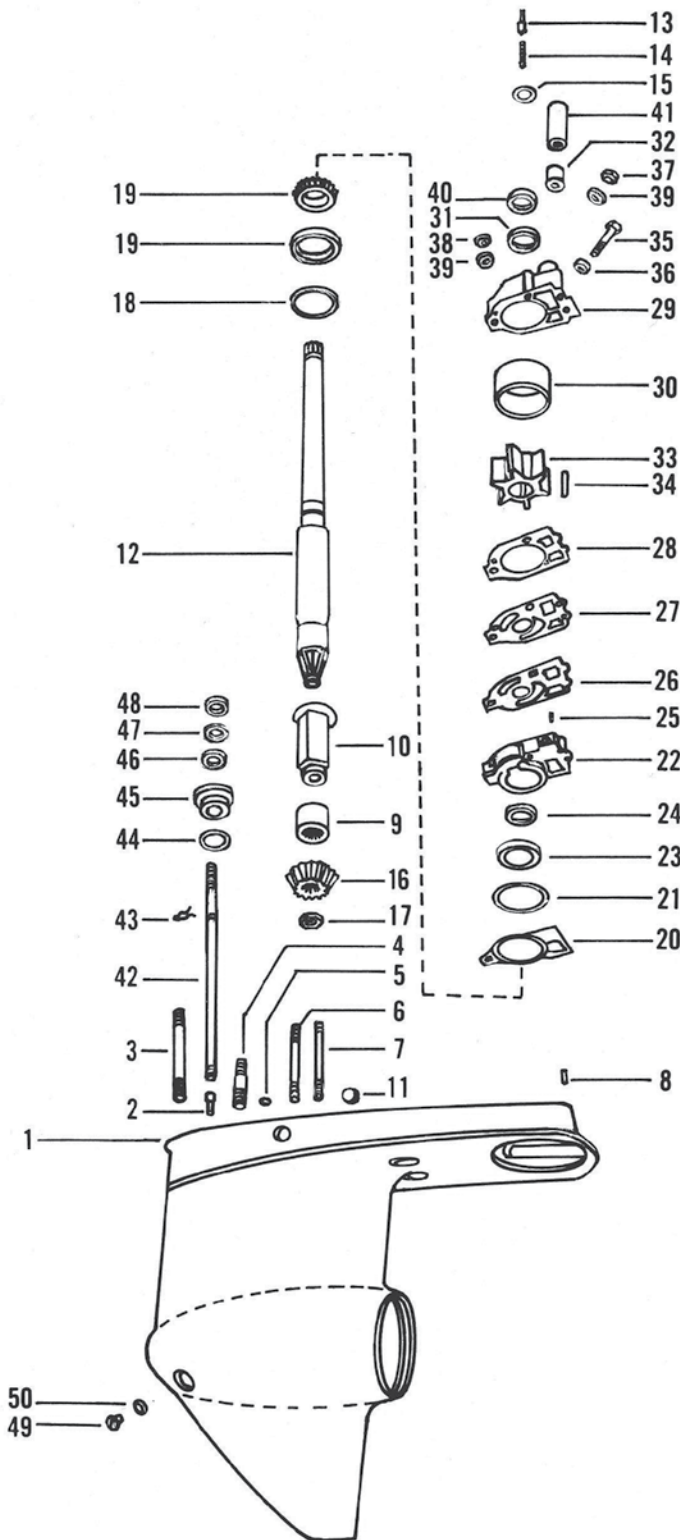
| No. | Description | O.E. Number | Mallory Marine No. |
|-----|--------------------------|----------------------------------|--------------------|
| 1 | Cotter pin | Included in 9-78133 | 9-78133 |
| 2 | Adjusting sleeve | Included in 9-78133 | 9-78133 |
| 3 | Spring retainer | Included in 9-78133 | 9-78133 |
| 4 | Washer | Included in 9-78133 | 9-78133 |
| 5 | Compression spring | Included in 9-78133 | 9-78133 |
| 6 | Spool | Included in 9-78133 | 9-78133 |
| 7 | Clutch actuating shaft | Included in 9-78133 | 9-78133 |
| 8 | Shift crank | 76865 | 9-78132 |
| 9 | Shim | 15-47397A1 | N/A |
| 10 | Forward gear assembly | 43-17064A2, 43-17064A3, 43-42934 | N/A |
| 11 | Roller bearing | 31-30895 | 9-75111 |
| 12 | Tapered roller bearing | 31-35928A1 | 9-75120 |
| 13 | Sliding clutch | 52-66063 | N/A |
| 14 | Cross pin | 17-30632 | 9-78111 |
| 15 | Retainer spring | 24-30893 | 9-78135 |
| 16 | Propeller shaft | 44-66060, 44-66060-3 | 9-72450 |
| 17 | Reverse gear assembly | 43-17064A2, 43-17064A3, 43-42934 | N/A |
| 18 | Thrust ring | 68100-1 | 9-78106 |
| 19 | Ball bearing | 30-88957A1 | 9-75114 |
| 20 | Shim | — | N/A |
| 21 | O-ring | 25-31534 | 9-76544 |
| 22 | Bearing carrier assembly | 73020A14 | 9-72601 |
| 23 | Roller bearing | 31-30956 | 9-75112 |
| 24 | Oil seal | 26-76868 | 9-76202 |
| 25 | Locating key | 28-30281 | N/A |
| 26 | Washer | 14-18323 | 9-72640 |
| 27 | Gear housing cover | 79448 | 9-72155 |
| 28 | Thrust washer | 13171, 77987 | N/A |
| 29 | Thrust hub & washer | 56292A2 | N/A |
| 30 | Cupped washer | 12-35965 | N/A |
| 31 | Splined washer | 12-31211A2 | 9-73902 |
| 32 | Tab washer | 14-31210, 14-816629 | 9-73900 |
| 33 | Propeller nut | 11-52707 (Includes #32) | 9-73960 |
| 34 | Trim tab assembly | 31640A1 | N/A |
| 35 | Screw | 10-30206 | N/A |
| 36 | Screw | 10-32470 | N/A |
| 37 | Nut | 11-13439-1 | N/A |

Gear Housing Seal Kit 9-74304

INBOARD & STERNDRIVE DRIVE SYSTEM PARTS



MC-1/R DRIVE SHAFT ASSEMBLY DIAGRAM



MC-1/R DRIVE SHAFT COMPONENTS

1. Gear housing assembly
2. Shift crank pin
- 3-4. Stud
5. O-ring
- 6-7. Stud
8. Dowel pin
9. Roller bearing
10. Threaded sleeve (early models only)
11. Welch plug (early models only)
12. Drive shaft assembly
13. Drive shaft pin
14. Compression spring
15. Upper O-ring
16. Pinion gear
17. Nut
18. Shim
19. Tapered roller bearing
20. Gasket
21. O-ring
22. Water pump base assembly
23. Lower oil seal
24. Upper oil seal
25. Dowel pin
26. Lower gasket
27. Face plate
28. Upper gasket
29. Water pump body
30. Pump insert
31. Oil seal
32. Rubber seal
33. Water pump impeller
34. Impeller drive pin
35. Screw
36. Lockwasher
37. Nut
38. Nut
39. Washer
40. Rubber ring
41. Guide sleeve
42. Lower shift shaft
43. Retaining clip
44. O-ring
45. Bushing assembly
46. Oil seal
47. Rubber washer
48. Shift shaft washer
49. Screw
50. Washer



INBOARD & STERNDRIVE DRIVE SYSTEM PARTS



MC-1/R DRIVE SHAFT ASSEMBLY CROSS REFERENCE

| No. | Description | O.E. Number | Mallory Marine No. |
|-----|-------------------------------------|----------------------------------|--------------------|
| 1 | Gear housing assembly | 1623-5356A3, 1623-8951A43 | N/A |
| 2 | Shift crank pin | 17-37972 | N/A |
| 3 | Stud | 16-46911 | N/A |
| 4 | Stud | 16-56298 | N/A |
| 5 | O-ring | 26-45577 | 9-76512 |
| 6 | Stud | 16-56297 | N/A |
| 7 | Stud | 16-69501 | N/A |
| 8 | Dowel pin | 10-30720 | N/A |
| 9 | Roller bearing | 31-42647A1 | 9-75121 |
| 10 | Threaded sleeve (Early models only) | — | N/A |
| 11 | Welch plug (Early models only) | — | N/A |
| 12 | Drive shaft assembly | 45-42634 | 9-72640 |
| 13 | Drive shaft pin | 17-30545 | N/A |
| 14 | Compression spring | 24-34576 | N/A |
| 15 | Upper O-ring | 25-30613 | 9-76543 |
| 16 | Pinion gear | 43-17064A2, 43-17064A3, 43-42934 | N/A |
| 17 | Nut | 11-35921 | 9-78103 |
| 18 | Shim | 15-42637A1 | N/A |
| 19 | Tapered roller bearing | 31-36387A1 | 9-75107 |
| 20 | Gasket | 27-42631-1 | 9-60031 |
| 21 | O-ring | 25-90011 | 9-76554 |
| 22 | Water pump base assembly | 46-44292A3 | 9-43308 |
| 23 | Lower oil seal | 26-89238 | 9-76109 |
| 24 | Upper oil seal | 26-16977 | 9-76108 |
| 25 | Dowel pin | 17-35973 | N/A |
| 26 | Lower gasket | 27-85609-1 | 9-60035 |
| 27 | Face plate | 32435 | 9-43400 |
| 28 | Upper gasket | 27-85609-1 | 9-60035 |
| 29 | Water pump body | 46-96148A1 | 9-43211 |
| 30 | Pump insert | 48752 | 9-43502 |
| 31 | Oil seal | 26-31507, 26-79884, 26-16977 | 9-76108 |
| 32 | Rubber seal | 26-38970 | 9-43604 |
| 33 | Water pump impeller | 47-89984 | 9-45306 |
| 34 | Impeller drive pin | 28-56654 | N/A |
| 35 | Screw | 46-96148A1 | 9-43211 |
| 36 | Lockwasher | 12-36001 | 9-78138 |
| 37 | Nut | 11-45592 | 9-72003 |
| 38 | Nut | 11-45592 | 9-72003 |
| 39 | Washer | 12-36001 | 9-78138 |
| 40 | Rubber ring | 25-30271 | 9-76562 |
| 41 | Guide sleeve | 23-29804 | 9-43623 |
| 42 | Lower shift shaft | 77481-1 | 9-72476 |
| 43 | Retaining clip | 18-20233 | N/A |
| 44 | O-ring | 25-25439 | 9-76505 |
| 45 | Bushing assembly | 23-30617A2 | 9-76133 |
| 46 | Oil seal | 26-46021, 26-89236 | 9-76105 |
| 47 | Rubber washer | 12-31266 | N/A |
| 48 | Shift shaft washer | 12-29395 | 9-78137 |
| 49 | Screw | 10-79953A2 | 9-72650 |
| 50 | Washer | 12-20260 | 9-60101 |

9-48308 Water Pump w/ flush plug
 9-48305 Water Pump w/o flush plug
 9-74304 Gear Housing Seal Kit

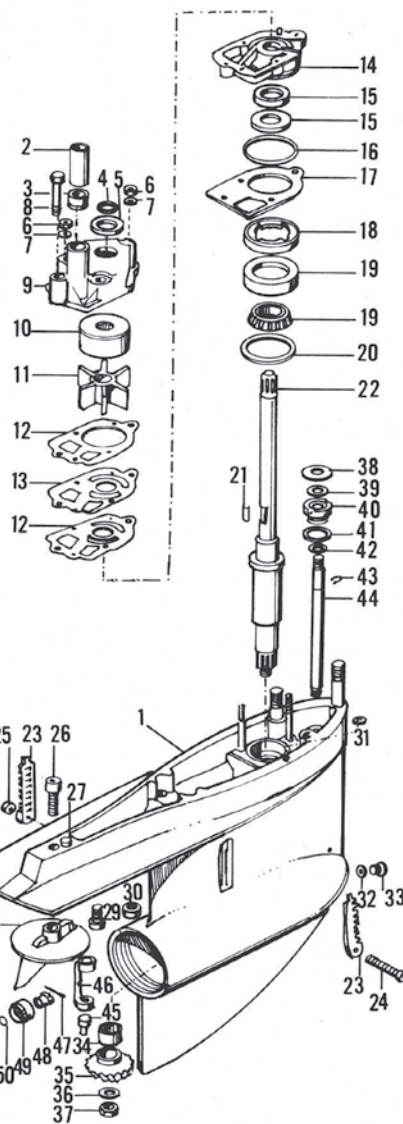
INBOARD & STERNDRIVE DRIVE SYSTEM PARTS



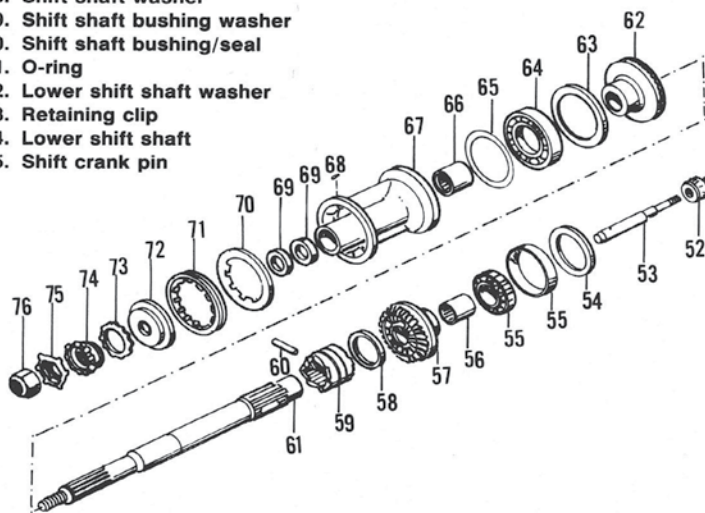
MR/ALPHA 1 GEAR HOUSING ASSEMBLY DIAGRAM

1. Gear housing
2. Inlet tube guide sleeve
3. Inlet tube seal
4. Drive shaft upper O-ring
5. Centrifugal slinger
6. Water pump nuts
7. Water pump washers
8. Water pump-to-base screw
9. Water pump body
10. Water pump insert
11. Impeller
12. Gasket
13. Face plate
14. Water pump base
15. Oil seals
16. O-ring
17. Gasket
18. Drive shaft bearing retainer
19. Drive shaft tapered roller bearing
20. Shim(s)
21. Impeller drive key
22. Drive shaft
23. Water pickup insert
24. Screw
25. Nut
26. Trim tab screw
27. Dowel pin
28. Trim tab
29. Screw
30. Nut
31. Seal
32. Oil fill/drain screw washer
33. Oil fill/drain plug
34. Pinion gear roller bearing
35. Pinion gear
36. Anti-galling washer
37. Pinion gear nut
38. Shift shaft washer
39. Shift shaft bushing washer
40. Shift shaft bushing/seal
41. O-ring
42. Lower shift shaft washer
43. Retaining clip
44. Lower shift shaft
45. Shift crank pin

46. Shift crank
47. Cotter pin
48. Adjusting sleeve
49. Retainer spring
50. Washers
51. Compression spring
52. Clutch spool
53. Clutch shaft
54. Shim
55. Forward gear bearing assembly
56. Forward gear bearing
57. Forward gear
58. Cross pin spring
59. Sliding clutch
60. Cross pin
61. Propeller shaft
62. Reverse gear
63. Bearing carrier thrust ring
64. Reverse gear bearing
65. O-ring
66. Bearing carrier roller bearing
67. Bearing carrier
68. Locating key
69. Oil seals
70. Tab washer
71. Retainer
72. Propeller thrust hub
73. Continuity washer
74. Spline washer
75. Tab washer
76. Propeller nut



MR/ALPHA 1
HOUSING





INBOARD & STERNDRIVE DRIVE SYSTEM PARTS



MR/ALPHA 1 1983-1990 s/n 6225577-0D469858 GEAR HOUSING ASSEMBLY CROSS REFERENCE

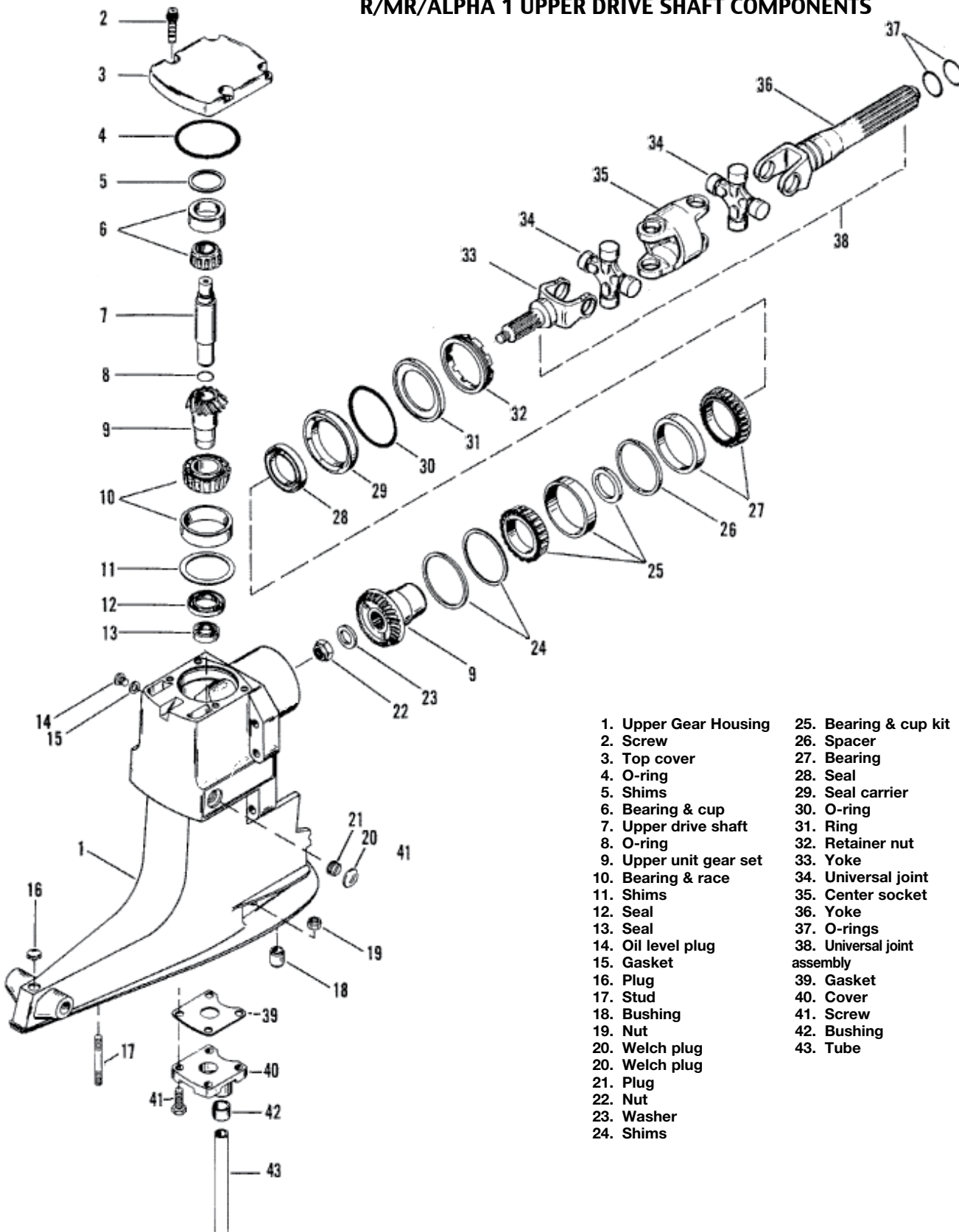
| No. | Description | O.E. Number | Mallory # |
|-----|------------------------------------|--|-----------|
| 1 | Gear housing | 1623-8951A37 | 9-79127 |
| 2 | Inlet tube guide sleeve | 23-29804 | 9-43623 |
| 3 | Inlet tube seal | 26-38970 | 9-43604 |
| 4 | Drive shaft upper O-ring | 25-30613 | 9-76543 |
| 5 | Centrifugal slinger | 25-30271 | 9-76562 |
| 6 | Water pump nuts | 11-45592 | 9-72003 |
| 7 | Water pump washers | 12-36001 | 9-78138 |
| 8 | Water pump to base screw | 10-96411 | 9-78131 |
| 9 | Water pump body | 46-96148A1 | 9-43211 |
| 10 | Water pump insert | 48752 | 9-43502 |
| 11 | Impeller | 47-89984 | 9-45306 |
| 12 | Gasket | 27-85609-1 | 9-60035 |
| 13 | Face plate | 32435 | 9-43400 |
| 14 | Water pump base | 46-44292A3 | 9-43308 |
| 15 | Oil seals | 26-89238 | 9-76109 |
| 15 | Oil seals | 26-16977 | 9-76108 |
| 16 | O-ring | 25-90011 | 9-76554 |
| 17 | Gasket | 27-42631-1 | 9-60031 |
| 18 | Drive shaft bearing retainer | 824519 | 9-78126 |
| 19 | Drive shaft tapered roller bearing | 31-36387A1 | 9-75107 |
| 20 | Shims | 15-42637A1 | N/A* |
| 21 | Impeller drive key | 28-56654 | N/A |
| 22 | Drive shaft | 45-42634 | 9-72640 |
| 23 | Water pickup insert | 93423-1 | 9-78115 |
| 24 | Screw | 10-76156 | 9-78130 |
| 25 | Nut | 11-45812 | 9-78125 |
| 26 | Trim tab screw | 10-32470 | N/A |
| 27 | Dowel pin | 10-30720 | N/A |
| 28 | Trim tab | 31640A1 | N/A |
| 29 | Screw | 10-30206 | N/A |
| 30 | Nut | 11-13439-1 | N/A |
| 31 | Seal | 26-45577 | 9-76512 |
| 32 | Oil fill/drain screw washer | 12-19183, 12-20260 | 9-60101 |
| 33 | Oil fill/drain plug | 10-79953A2 | 9-72650 |
| 34 | Pinion gear roller bearing | 31-42647A1 | 9-75121 |
| 35 | Pinion gear | 43-17064A2, 43-17064A3, 43-42934 | N/A* |
| 36 | Anti-galling washer | 22-92721 | 9-78108 |
| 37 | Pinion gear nut | 11-35921 | 9-78103 |
| 38 | Shift shaft washer | 12-29395 | 9-78137 |
| 39 | Shift shaft bushing washer | 12-31266 | N/A |
| 40 | Shift shaft bushing/seal | 23-30617A2 | 9-76133 |
| 41 | O-ring | 25-25439 | 9-76505 |
| 42 | Lower shift shaft washer | 12-27880 | 9-78136 |
| 43 | Retaining clip | 53-29641 | 9-78109 |
| 44 | Lower shift shaft | 77481-1 | 9-72476 |
| 45 | Shift crank pin | 17-37972-1 | N/A |
| 46 | Shift crank | 76865 | 9-78132 |
| 47 | Cotter pin | Part of Shift spool assembly 818349A1 | 9-78133 |

| No. | Description | O.E. Number | Mallory # |
|-----|------------------------------------|--|-----------|
| 48 | Adjusting sleeve | Part of Shift spool assembly 818349A1 | 9-78133 |
| 49 | Retainer spring | Part of Shift spool assembly 818349A1 | 9-78133 |
| 50 | Washers | Part of Shift spool assembly 818349A1 | 9-78133 |
| 51 | Compression spring | Part of Shift spool assembly 818349A1 | 9-78133 |
| 52 | Clutch spool | Part of Shift spool assembly 818349A1 | 9-78133 |
| 53 | Clutch shaft | Part of Shift spool assembly 818349A1 | 9-78133 |
| 54 | Shim | 15-47397A1 | N/A |
| 55 | Forward gear bearing as- sembly | 31-35928A1 | 9-75120 |
| 56 | Forward gear bearing | 31-30895 | 9-75111 |
| 57 | Forward gear (Alpha) | 43-17064A2, 43-17064A3, 43-42934 | N/A* |
| 58 | Cross pin spring | 24-30893 | 9-78135 |
| 59 | Sliding clutch | 52-66063 | N/A |
| 60 | Cross pin | 17-30632 | 9-78111 |
| 61 | Propeller shaft | 44-66060, 44-66063-3 | 9-72450 |
| 62 | Reverse gear (Alpha) | 43-17064A2, 43-17064A3, 43-42934 | N/A* |
| 63 | Bearing carrier thrust ring | 68100-1 | 9-78106 |
| 64 | Reverse gear bearing | 30-88957A1 | 9-75114 |
| 65 | O-ring | 25-31534 | 9-76544 |
| 66 | Bearing carrier roller bearing | 31-30956 | 9-75112 |
| 67 | Bearing carrier | 73020A14 | 9-72601 |
| 68 | Locating key | 28-30281 | N/A |
| 69 | Oil seals | 26-76868 | 9-76202 |
| 70 | Tab washer | 14-18323 | 9-72640 |
| 71 | Retainer | 79448 | 9-72155 |
| 72 | Propeller thrust hub | 13171, 77987 | N/A |
| 73 | Continuity washer | — | N/A |
| 74 | Spline washer | 12-31211A2 | 9-73902 |
| 75 | Tab washer | 14-31210, 14-816629 | 9-73900 |
| 76 | Propeller nut | 11-52707 (Includes #75) | 9-73960 |

* Use Gear Repair Kit 9-79200
Gear Housing Seal Kit 9-74304
Water Pump Kit 9-48307

R/MR/ALPHA 1 UPPER DRIVE SHAFT HOUSING ASSEMBLY DIAGRAM

R/MR/ALPHA 1 UPPER DRIVE SHAFT COMPONENTS



- | | |
|------------------------|------------------------------|
| 1. Upper Gear Housing | 25. Bearing & cup kit |
| 2. Screw | 26. Spacer |
| 3. Top cover | 27. Bearing |
| 4. O-ring | 28. Seal |
| 5. Shims | 29. Seal carrier |
| 6. Bearing & cup | 30. O-ring |
| 7. Upper drive shaft | 31. Ring |
| 8. O-ring | 32. Retainer nut |
| 9. Upper unit gear set | 33. Yoke |
| 10. Bearing & race | 34. Universal joint |
| 11. Shims | 35. Center socket |
| 12. Seal | 36. Yoke |
| 13. Seal | 37. O-rings |
| 14. Oil level plug | 38. Universal joint assembly |
| 15. Gasket | 39. Gasket |
| 16. Plug | 40. Cover |
| 17. Stud | 41. Screw |
| 18. Bushing | 42. Bushing |
| 19. Nut | 43. Tube |
| 20. Welch plug | |
| 21. Plug | |
| 22. Nut | |
| 23. Washer | |
| 24. Shims | |



INBOARD & STERNDRIVE DRIVE SYSTEM PARTS



R/MR/ALPHA 1 UPPER DRIVE SHAFT HOUSING ASSEMBLY CROSS REFERENCE

| No. | Description | O.E. Number | Mallory Marine No. |
|-----|--|-------------------------|--------------------|
| 1 | Upper Gear Housing | — | 9-79100 |
| 2 | Screw | 10-98794 | 9-78129 |
| 3 | Top cover | 94998A2 | 9-78121 |
| 4 | O-ring | 25-32546 | 9-76546 |
| 5 | Shims | 15-45691A1 | N/A |
| 6 | Bearing & cup | 31-61100A1 | 9-75117 |
| 7 | Upper drive shaft | 45-55796 | 9-72461 |
| 8 | O-ring | 25-55801 | 9-76568 |
| 9 | Upper unit gear set | — | N/A |
| 10 | Bearing & race | 31-32573A1 | 9-75122 |
| 11 | Shims | 15-36178A1 | N/A |
| 12 | Seal | 26-32511 | 9-76511 |
| 13 | Seal | 26-96503 | 9-76130 |
| 14 | Oil level plug | 10-79953A2 | 9-72650 |
| 15 | Gasket | 12-19183, 12-20260 | 9-60101 |
| 16 | Plug | 19-47579 | N/A |
| 17 | Stud | 16-56295 | N/A |
| 18 | Bushing | 23-32632 | N/A |
| 19 | Nut | 11-13439-1 | N/A |
| 20 | Welch plug 7/8" OD | 19-32652 | N/A |
| 20 | Welch plug 1 1/4" OD | 19-42682 | 9-78141 |
| 21 | Plug | 22-42861 | N/A |
| 22 | Nut | 11-22339 | 9-78117 |
| 23 | Washer | 12-45810 | 9-78107 |
| 24 | Shims | 15-35980A1 | N/A |
| 25 | Bearing & cup kit (Includes #25 thru #27) | 31-35988A2, 31-35988A12 | 9-75123 |
| 26 | Spacer (Included with #25) | 31-35988A2, 31-35988A12 | 9-75123 |
| 27 | Bearing (Included with #25) | 31-35988A2, 31-35988A12 | 9-75123 |
| 28 | Seal | 26-64893 | 9-76102 |
| 29 | Seal carrier | 66081A2 | 9-78100 |
| 30 | O-ring | 25-70937 | 9-76551 |
| 31 | Ring | 35983 | 9-78105 |
| 32 | Retainer nut | 816811-1 | 9-72154 |
| 33 | Yoke | 46020T | 9-72400 |
| 34 | Universal joint | 75832A2 | 9-72404 |
| 35 | Center socket | 39383T | 9-72403 |
| 36 | Yoke | 59830A1 | 9-72401 |
| 37 | O-rings | 25-25439 | 9-76505 |
| 38 | Universal joint assembly (Includes #33 thru #37) | 59830A5 | 9-72409 |
| 39 | Gasket | 27-55810 | 9-60037 |
| 40 | Cover | 42724A3 | 9-78139 |
| 41 | Screw | 10-28668 | 9-78127 |
| 42 | Bushing (Included with 9-78139) | 26-38970 | 9-43604 |
| 43 | Tube (Included with 9-78139) | 32-54236 | 9-78140 |

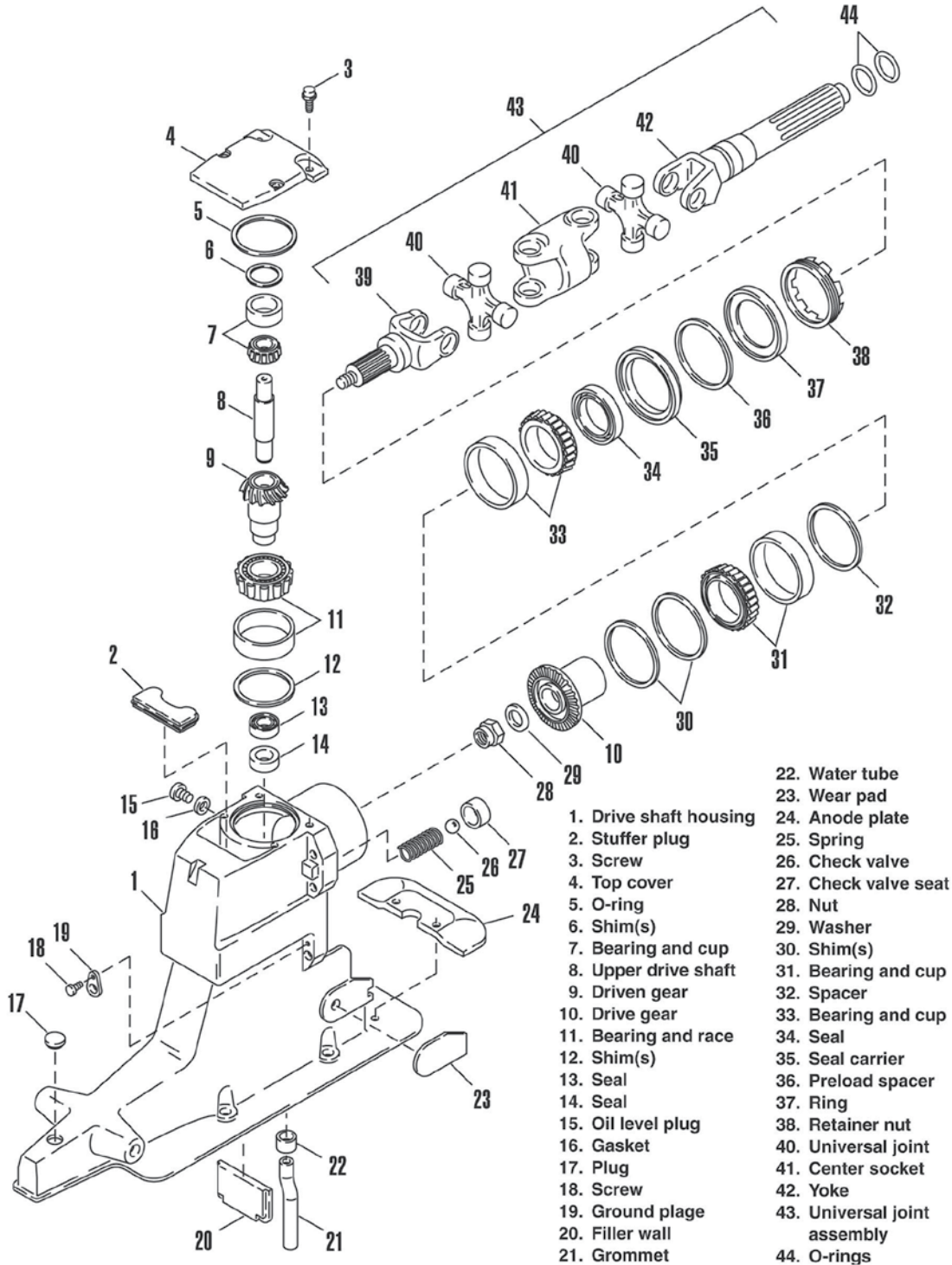
Gear Housing Seal Kit 9-74303

INBOARD & STERNDRIVE DRIVE SYSTEM PARTS



ALPHA ONE GEN II UPPER DRIVE SHAFT HOUSING ASSEMBLY DIAGRAM

UPPER RIVE SHAFT COMPONENTS



- | | |
|------------------------|------------------------------|
| 1. Drive shaft housing | 22. Water tube |
| 2. Stuffer plug | 23. Wear pad |
| 3. Screw | 24. Anode plate |
| 4. Top cover | 25. Spring |
| 5. O-ring | 26. Check valve |
| 6. Shim(s) | 27. Check valve seat |
| 7. Bearing and cup | 28. Nut |
| 8. Upper drive shaft | 29. Washer |
| 9. Driven gear | 30. Shim(s) |
| 10. Drive gear | 31. Bearing and cup |
| 11. Bearing and race | 32. Spacer |
| 12. Shim(s) | 33. Bearing and cup |
| 13. Seal | 34. Seal |
| 14. Seal | 35. Seal carrier |
| 15. Oil level plug | 36. Preload spacer |
| 16. Gasket | 37. Ring |
| 17. Plug | 38. Retainer nut |
| 18. Screw | 39. Universal joint |
| 19. Ground plate | 40. Center socket |
| 20. Filler wall | 41. Yoke |
| 21. Grommet | 42. Universal joint assembly |
| | 43. O-rings |



INBOARD & STERNDRIVE DRIVE SYSTEM PARTS



ALPHA ONE GEN II UPPER DRIVE SHAFT HOUSING ASSEMBLY CROSS REFERENCE

| No. | Description | O.E. Number | Mallory Marine No. |
|------|--|-------------------------|--------------------|
| 1 | Drive shaft housing (OD469859-0K999999) | 1547-815930A7 | 9-79101 |
| 1 | Drive shaft housing (OL100009-Up) | 1547-861063A4 | N/A |
| 2 | Stuffer plug | — | N/A |
| 3 | Screw | 10-98794 | 9-78129 |
| 4 | Top cover (OF680000-Up) | 828692A1 | 9-78120 |
| 5 | O-ring | 25-32546 | 9-76546 |
| 6 | Shims (D494569-F679999) | 15-45691A1 | N/A |
| 6 | Shims (F680000-Up) | 15-32563A1 | N/A |
| 7 | Bearing & cup (D494569-F679999) | 31-61100A1 | 9-75117 |
| 7 | Bearing & cup (F680000-Up) | 31-32575A1 | 9-75106 |
| 8 | Upper drive shaft (F680000-Up) | 45-55796-1 | 9-72462 |
| 9-10 | Upper Gear Set | | |
| | Alpha One (6225577-Up) | | |
| | Alpha One Gen II (OD469859-0K999999) | | |
| 9-10 | 1.32:1 Gear set (16/20 tooth count) Gear repair kit | 43-803115T1 | 9-79201 |
| 9-10 | 1.5:1 Gear set (20/22 tooth count) Gear repair kit | 43-803116T1 | 9-79202 |
| 9-10 | 1.65:1 Gear set (24/24) tooth count) Gear repair kit | 43-803112T1 | N/A |
| 9-10 | 1.54:1 Gear set (17/19 tooth count) Gear repair kit | 43-803114T1 | N/A |
| 9-10 | 1.98:1 Gear set (20/24 tooth count) Gear repair kit | 43-803101T1 | 9-79203 |
| 11 | Bearing & race (Except 1:47:1 ratio) | 31-35990A1 | N/A |
| 11 | Bearing & race (1:47:1 ratio) | 31-32573A1 | 9-75122 |
| 12 | Shims | 15-36178A1 | N/A |
| 13 | Seal | 26-96503 | 9-76130 |
| 14 | Seal | 26-96503 | 9-76130 |
| 15 | Oil level plug | 10-79953A2 | 9-72650 |
| 16 | Gasket | 12-19183, 12-20260 | 9-60101 |
| 17 | Plug | — | N/A |
| 18 | Screw | — | N/A |
| 19 | Ground plate | — | N/A |
| 20 | Filler wall | — | N/A |
| 21 | Grommet | 26-88397 | 9-74302 |
| 22 | Water tube | 32-860220 | 9-44010 |
| 23 | Wear pad (Port) | 814386 | N/A |
| 23 | Wear pad (Stbd) | 814387 | N/A |
| 24 | Anode plate | 821629A1 | N/A |
| 25 | Spring | 24-17997A (Kit) | 9-78005 |
| 26 | Check valve | 24-17997A (Kit) | 9-78005 |
| 27 | Check valve seat | 24-17997A (Kit) | 9-78005 |
| 28 | Nut | 11-22339 | 9-78117 |
| 29 | Washer | 12-45810 | 9-78107 |
| 30 | Shims | 15-35980A1 | N/A |
| 30 | Shims | 15-71013 | N/A |
| 31 | Bearing & cup (D469859-K999999) | 31-35988A2, 31-35988A12 | 9-75123 |
| 31 | Bearing & cup (OL100009-Up) | 31-90894A15 | N/A |
| 32 | Spacer (Included in 9-75123 Kit) | 31-35988A2, 31-35988A12 | 9-75123 |
| 33 | Bearing & cup (Included in 9-75123 Kit) | 31-35988A2, 31-35988A12 | 9-75123 |
| 34 | Seal | 26-64893 | 9-76102 |
| 35 | Seal carrier | 66081A2 | 9-78100 |
| 36 | Preload spacer | 25-70937 | 9-76551 |
| 37 | Ring | 35983 | 9-78105 |
| 38 | Retainer nut | 816811-1 | 9-72154 |
| 39 | Yoke (Exc. GKN series) | 46020T | 9-72400 |
| 40 | Universal joint (D469859-F679999) | 75832A2 | 9-72405 |
| 40 | Universal joint (DF680000-0K999999) | 805536A2 | 9-72406 |
| 40 | Universal joint (OL100009-Up GKN series) | — | N/A |
| 41 | Center socket (Except GKN series) | 39383T | 9-72403 |
| 42 | Yoke (Except GKN series) | 59830A1 | 9-72401 |
| 43 | Universal joint assembly (GKN series) | 864281A2 | N/A |
| 44 | O-rings | 25-25439 | 9-76505 |

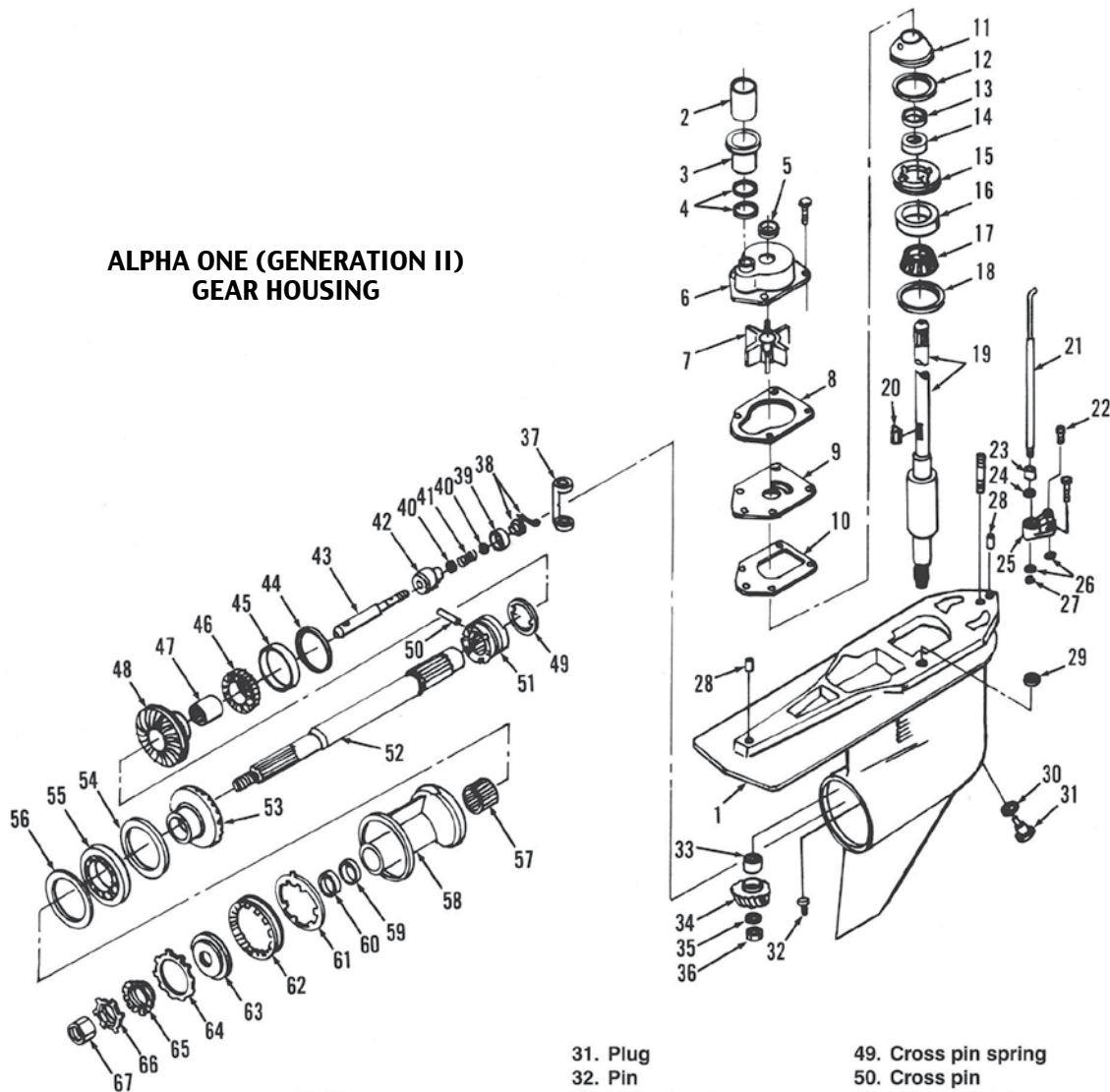
Gear Housing Seal Kit 9-74302

INBOARD & STERNDRIVE DRIVE SYSTEM PARTS



ALPHA ONE GEN II GEAR HOUSING ASSEMBLY DIAGRAM

ALPHA ONE (GENERATION II) GEAR HOUSING



- 1. Gear housing
- 2. Sleeve
- 3. Coupling
- 4. O-rings
- 5. Face seal
- 6. Water pump body
- 7. Impeller
- 8. Gasket
- 9. Face plate
- 10. Gasket
- 11. Seal carrier
- 12. O-ring
- 13. Seal
- 14. Seal
- 15. Cover nut

- 16. Bearing cup
- 17. Tapered bearing
- 18. Shim(s)
- 19. Drive shaft
- 20. Impeller drive key
- 21. Shift shaft
- 22. Speedometer pickup fitting
- 23. Sleeve
- 24. Seal
- 25. Shift rod bushing assembly
- 26. O-rings
- 27. Retaining ring
- 28. Dowel pin
- 29. Seal
- 30. Gasket

- 31. Plug
- 32. Pin
- 33. Roller bearing
- 34. Pinion gear
- 35. Washer
- 36. Nut
- 37. Shift crank
- 38. Cotter pin and adjusting sleeve
- 39. Retainer
- 40. Washers
- 41. Spring
- 42. Shift spool
- 43. Clutch shaft
- 44. Shim(s)
- 45. Bearing cup
- 46. Bearing
- 47. Roller bearing
- 48. Forward gear

- 49. Cross pin spring
- 50. Cross pin
- 51. Sliding clutch
- 52. Propeller shaft
- 53. Reverse gear
- 54. Shim(s)
- 55. Ball bearing
- 56. O-ring
- 57. Roller bearing
- 58. Bearing carrier
- 59. Seal
- 60. Seal
- 61. Tab washer
- 62. Cover nut
- 63. Thrust hub
- 64. Continuity washer
- 65. Splined washer
- 66. Tab washer
- 67. Propeller nut



INBOARD & STERNDRIVE DRIVE SYSTEM PARTS



ALPHA ONE GEN II GEAR HOUSING ASSEMBLY CROSS REFERENCE

| No. | Description | O.E. Number | Mallory # |
|-------|--------------------------------|----------------|----------------|
| 1 | Gear Housing (F800000-Up) | 1623-815822A36 | 9-79126 |
| 1 | Gear Housing (D469859-F679999) | 1623-815822A30 | 9-79125 |
| 2 | Sleeve | 23-816573 | N/A |
| 3 | Coupling | 816597A1 | 9-78110 |
| 4 | O-rings | 25-21836 | 9-76565 |
| 5 | Face seal | 26-816575A2 | 9-43628 |
| 6 | Water pump body | 817275A1 | 9-48314 |
| 7 | Impeller | 47-43026-2 | 9-45307 |
| 8 | Gasket | 27-817277 | 9-60021 |
| 9 | Face Plate | 817276 | 9-43413 |
| 10 | Gasket | 27-43033-1 | 6-60020 |
| 11 | Seal carrier | 821759A2 | 9-72642 |
| 12 | O-rings | 25-90011 | 9-76554 |
| 13 | Seal | 26-16977 | 9-76108 |
| 14 | Seal | 26-89238 | 9-76109 |
| 15 | Cover nut | 824519 | 9-78126 |
| 16-17 | Bearing & cup 1.50-1.65 Ratio | 31-36387A1 | 9-75107 |
| 16-17 | Bearing & cup 1.47-1.62 Ratio | 31-33138A1 | 9-75125 |
| 18 | Shim(s) | 15-42637A1 | N/A |
| 19 | Drive Shaft 1.47-1.62 Ratio | 45-853648 | 9-72463 |
| 19 | Drive Shaft 1.50-1.65 Ratio | 45-819619 | 9-78112 |
| 19 | Drive Shaft 1.84-1.98 Ratio | 45-816472 | N/A |
| 20 | Impeller drive key | 28-43037 | 9-43720 |
| 21 | Shift shaft | 815919A1 | 9-72477 |
| 22 | Speedometer pickup fitting | N/A | Incl. with #25 |
| 23 | Sleeve | 23-67370 | 9-78134 |
| 24 | Seal | 26-89236 | 9-76105 |
| 25 | Shift rod bushing assembly | 23-815921A21 | 9-76136 |
| 26 | O-rings | 25-36318 | 9-76574 |
| 27 | Retaining ring | 53-29641 | 9-78109 |
| 28 | Dowel pin | 17-43044 | N/A |
| 29 | Seal | 26-45577 | 9-76512 |
| 30 | Gasket | 12-19183 | 9-60101 |
| 31 | Plug | 22-67892A1 | 9-72651 |
| 32 | Pin | 17-37972-1 | N/A |
| 33 | Pinion bearing | 31-42647A1 | 9-75121 |
| 34 | Pinion gear | 43-828072A2 | N/A |
| 35 | Washer | 12-92721 | 9-78108 |
| 36 | Nut | 11-35921 | 9-78103 |
| 37 | Shift crank | 76865 | 9-78132 |
| 38 | Shift spool assembly | 818349A1 | 9-78133 |
| 39 | Retainer | — | Incl. with #38 |
| 40 | Washers | — | Incl. with #38 |
| 41 | Spring | — | Incl. with #38 |
| 42 | Shift Spool | — | Incl. with #38 |
| 43 | Clutch shaft | — | Incl. with #38 |
| 44 | Shims | 15-47397A1 | N/A |

| No. | Description | O.E. Number | Mallory # |
|-----|------------------------------|-------------|-----------|
| 45 | See #46 | | |
| 46 | Set, cone & race | 31-35928A1 | 9-75120 |
| 47 | Forward gear, inner bearing | 31-30895 | 9-75111 |
| 48 | Forward gear | 43-828072A2 | N/A |
| 49 | Cross pin spring | 24-30893 | 9-78135 |
| 50 | Cross pin | 17-30632 | 9-78111 |
| 51 | Sliding clutch | 52-824112 | N/A |
| 52 | Propeller shaft | 44-824110 | 9-72450 |
| 53 | Reverse gear | 43-828072A2 | N/A |
| 54 | Thrust ring | 681001 | 9-78106 |
| 55 | Ball bearing | 30-88957A1 | 9-75114 |
| 56 | O-ring | 25-31534 | 9-76544 |
| 57 | Roller bearing | 31-30956 | 9-75112 |
| 58 | Bearing carrier | 818763A10 | 9-72602 |
| 59 | Seal | 26-14077 | 9-76202 |
| 60 | Seal | 26-12224 | 9-76101 |
| 61 | Tab washer | 14-18323 | 9-72640 |
| 62 | Cover nut | 79448 | 9-72155 |
| 63 | Thrust hub | 13171 | N/A |
| 64 | Continuity washer | 13-42351-1 | N/A |
| 65 | Splined washer | 12-31211A2 | 9-73902 |
| 66 | Tab washer | 14-31210 | 9-73900 |
| 67 | Propeller nut (includes #66) | 11-52707 | 9-73960 |

Gear Housing Seal Kit 9-74206
 Water Pump Kit w/ Hsg 9-48315
 Impeller Repair Kit 9-48313



INBOARD & STERNDRIVE DRIVE SYSTEM PARTS



Mallory Marine Oil Seals

Mallory Marine Oil Seals are specially designed and engineered from the highest quality materials for the marine environment. All oil seals are not the same, ours are constructed from special rubber compounds such as viton, buna, and other rubber materials designed for a specific applications. The outer cases are constructed from carbon steel or a marine grade stainless steel for applications exposed to the environment.

The dimensional chart below is intended for reference only and not to determine if a seal is suitable for a particular application.



OIL SEAL APPLICATIONS

| OMC | | Actual Size (In Inches) | | | Actual Size (In Millimeters) | | |
|-----------|--------|-------------------------|-------|-------|------------------------------|--------|-------|
| Mallory # | OEM # | Shaft Size | O.D. | Width | Shaft Size | O.D. | Width |
| 9-76100 | 313992 | 1.187 | 1.875 | 0.250 | 30.150 | 47.625 | 6.350 |
| 9-76200 | 305987 | 1.000 | 1.375 | 0.250 | 25.400 | 34.925 | 6.350 |
| 9-76201 | 318972 | 0.500 | 0.875 | 0.250 | 12.700 | 22.225 | 6.350 |
| 9-76202 | 320862 | 1.188 | 1.692 | 0.250 | 30.175 | 42.977 | 6.350 |
| 9-76203 | 321453 | 0.875 | 1.250 | 0.188 | 22.225 | 31.750 | 4.775 |
| 9-76204 | 321459 | 0.625 | 1.125 | 0.250 | 15.875 | 28.575 | 6.350 |
| 9-76205 | 321466 | 0.750 | 1.126 | 0.200 | 19.050 | 28.600 | 5.080 |
| 9-76207 | 321480 | 0.500 | 1.250 | 0.188 | 12.700 | 31.750 | 4.775 |
| 9-76209 | 321787 | 0.625 | 1.125 | 0.312 | 15.875 | 28.575 | 7.925 |
| 9-76210 | 321788 | 0.500 | 1.000 | 0.188 | 12.700 | 25.400 | 4.775 |
| 9-76211 | 321928 | 0.625 | 1.375 | 0.250 | 15.875 | 34.925 | 6.350 |
| 9-76213 | 332205 | 0.730 | 1.130 | 0.194 | 18.542 | 28.702 | 4.928 |
| 9-76214 | 332261 | 0.625 | 1.375 | 0.195 | 15.875 | 34.925 | 4.953 |
| 9-76218 | 321481 | 0.687 | 1.250 | 0.250 | 17.450 | 31.750 | 6.350 |
| 9-76220 | 329923 | 0.875 | 1.375 | 0.207 | 22.225 | 34.925 | 5.258 |
| 9-76221 | 341280 | 0.866 | 1.378 | 0.280 | 21.996 | 35.001 | 7.112 |
| 9-76227 | 313353 | 1.938 | 2.438 | 0.250 | 49.225 | 61.925 | 6.350 |
| 9-76228 | 310649 | 2.500 | 3.000 | 0.250 | 63.500 | 76.200 | 6.350 |

| MERCURY | | Actual Size (In Inches) | | | Actual Size (In Millimeters) | | |
|-----------|------------|-------------------------|-------|-------|------------------------------|--------|--------|
| Mallory # | OEM # | Shaft Size | O.D. | Width | Shaft Size | O.D. | Width |
| 9-76100 | 26-41953-1 | 1.187 | 1.875 | 0.250 | 30.150 | 47.625 | 6.350 |
| 9-76101 | 26-12224 | 1.188 | 1.690 | 0.360 | 30.175 | 42.926 | 9.144 |
| 9-76102 | 26-68493 | 2.250 | 3.000 | 0.437 | 57.150 | 76.200 | 11.100 |
| 9-76102 | 26-823894 | 2.250 | 3.000 | 0.437 | 57.150 | 76.200 | 11.100 |
| 9-76103 | 26-94038 | 1.000 | 1.500 | 0.312 | 25.400 | 38.100 | 7.925 |
| 9-76104 | 26-56788 | 0.875 | 1.250 | 0.375 | 22.225 | 31.750 | 9.525 |
| 9-76105 | 26-89236 | 0.375 | 0.750 | 0.250 | 9.525 | 19.050 | 6.350 |
| 9-76106 | 26-12709.1 | 0.437 | 0.875 | 0.250 | 11.100 | 22.225 | 6.350 |
| 9-76107 | 26-90562 | 0.750 | 1.250 | 0.312 | 19.050 | 31.750 | 7.925 |
| 9-76108 | 26-16977 | 0.875 | 1.250 | 0.188 | 22.225 | 31.750 | 4.775 |
| 9-76109 | 26-89238 | 0.875 | 1.500 | 0.312 | 22.225 | 38.100 | 7.925 |
| 9-76110 | 26-24590 | 0.400 | 0.566 | 0.094 | 10.160 | 14.376 | 2.388 |
| 9-76111 | 26-32511 | 1.250 | 2.005 | 0.094 | 31.750 | 50.920 | 2.388 |
| 9-76112 | 26-55682 | 1.000 | 1.253 | 0.125 | 25.400 | 31.826 | 3.175 |
| 9-76113 | 26-69188 | 0.875 | 1.253 | 0.278 | 22.225 | 31.300 | 7.060 |
| 9-76114 | 26-69189 | 0.875 | 1.314 | 0.322 | 22.225 | 33.376 | 8.179 |
| 9-76115 | 26-70081 | 1.185 | 1.754 | 0.360 | 30.099 | 44.552 | 9.144 |
| 9-76116 | 26-816464 | 0.375 | 0.750 | 0.243 | 9.525 | 19.050 | 6.172 |
| 9-76117 | 26-79831 | 0.750 | 1.127 | 0.149 | 19.050 | 28.626 | 3.785 |
| 9-76119 | 26-14077 | 1.188 | 1.689 | 0.247 | 30.175 | 34.000 | 6.250 |
| 9-76127 | 26-41131 | 1.141 | 1.313 | 0.344 | 28.981 | 33.350 | 8.738 |
| 9-76128 | 26-41132 | 0.750 | 1.250 | 0.312 | 19.050 | 31.750 | 7.925 |
| 9-76129 | 26-43035 | 1.063 | 1.496 | 0.197 | 27.000 | 37.998 | 5.004 |
| 9-76130 | 26-66302 | 0.875 | 1.375 | 0.250 | 22.225 | 34.925 | 6.350 |
| 9-76130 | 26-96503-1 | 0.875 | 1.375 | 0.250 | 22.225 | 34.925 | 6.350 |
| 9-76131 | 26-817472 | 0.250 | 0.631 | 0.342 | 6.350 | 16.015 | 8.674 |
| 9-76202 | 26-76868 | 1.188 | 1.692 | 0.250 | 30.175 | 42.977 | 6.350 |



INBOARD & STERNDRIVE DRIVE SYSTEM PARTS



MERCURISER OIL SEALS

| MERCURY | | | | | | |
|-------------------|--------------------|-----------------------------------|-------------------|--------------------------|---------------------|-------------------|
| | | Upper Unit Housing Seals | | Lower Unit Housing Seals | | |
| Stern Drive Model | S/N | Bearing Carrier (Drive Yoke Seal) | Driven Gear | Prop Shaft | Shift Shaft Bushing | Water Pump Base |
| I,IA,IB,IC | 1534570 - 2065189 | 9-76102 | 9-76112 / 9-76130 | 9-76202 / 9-76202 | 9-76105 | 9-76108 / 9-76109 |
| 60/80/90 | 1830753 - 2063740 | | | 9-76107 / - | 9-76105 | 9-76107 / 9-76119 |
| 80 | 2063741 - 2898029 | | | 9-76107 / - | 9-76105 | 9-76107 / 9-76119 |
| 90 | 2898020 - 3225967 | | | 9-76107 / - | 9-76105 | 9-76107 / 9-76119 |
| R/MR/Alpha I | 2062141 - 0D469858 | 9-76102 | 9-76112 / 9-76130 | 9-76202 / 9-76202 | 9-76105 | 9-76108 / 9-76109 |
| R/MR/Alpha I | 2062141 - 0D469858 | 9-76102 | 9-76112 / 9-76130 | 9-76119 / 9-76101 | 9-76105 | 9-76108 / 9-76109 |
| Alpha I Gen II | 0D469859 & UP | 9-76102 | 9-76130 @ 2 | 9-76119 / 9-76101 | 9-76105 | 9-76130 @ 2 |
| Alpha I Gen II | 0L100040 & UP | 9-76102 | 9-76130 @ 2 | 9-76119 / 9-76101 | 9-76105 | 9-76108 / 9-76109 |
| Alpha I SS | ALL | 9-76102 | 9-76112 / 9-76130 | 9-76202 / 9-76202 | 9-76105 | 9-76108 / 9-76109 |
| TRS | 3377316 & Up | 9-76102 | | 9-76202 / 9-76202 | | |
| BRAVO III | ALL | — | — | 9-76124 / 9-76125 | — | — |

OMC - INTERMEDIATE HOUSING SEALS

| Stringer Models | Years | Ball Gear Inner |
|--------------------------|---------|-----------------|
| 88-200 | 1964-66 | 9-76212 |
| 80-245 | 1968-72 | 9-76212 |
| 90 (DU DUE 14D models) | 1967 | 9-76212 |
| 90 (DU DUE 15S models) | 1967 | 9-76212 |
| 120 (CUJ 15S models) | 1967 | 9-76212 |
| 120 (CUJ CUE 16C models) | 1967 | 9-76212 |
| 155 | 1967 | 9-76212 |
| 155 (HU HUE 15S models) | 1967 | 9-76212 |
| 185 | 1967 | 9-76212 |
| 200 (TU TUE 15S models) | 1967 | 9-76212 |
| 200 (TU TUE 16C models) | 1967 | 9-76212 |
| 100-260 | 1973-80 | 9-76100 |
| 100-260 | 1980-81 | 9-76100 |
| 2.5 - 5.7 | 1981-86 | 9-76100 |

OMC - LOWER UNIT HOUSING SEALS

| Stringer Models | Years | Drive Shaft Bearing Retainer Upper Seal | Drive Shaft Bearing Retainer Middle Seal | Drive Shaft Bearing Retainer Lower Seal | Prop Shaft Seal |
|------------------------|---------|---|--|---|-----------------|
| 100-245 | 1968-77 | 9-76228 | 9-76227 | 9-76227 | — |
| 4 cyl (400 series) | 1978-86 | 9-76228 | 9-76227 @ 2 | 9-76206 @ 2 | 9-76212 @ 2 |
| V-6 & V-8 (800 series) | 1978-86 | 9-76228 | 9-76227 @ 2 | 9-76206 @ 2 | 9-76202 @ 2 |

OMC - OIL SEALS

| Stringer Models | Years | Ball Gear Inner |
|-----------------|---------|-----------------|
| 2.3L | 1986-90 | 9-76212 @ 2 |
| 3.0L | 1986-89 | 9-76212 @ 2 |
| 3.0L | 1990 | 9-76202 @ 2 |
| 4.3L - 7.5L | 1986-90 | 9-76202 @ 2 |



INBOARD & STERNDRIVE DRIVE SYSTEM PARTS



MALLORY MARINE O-RINGS

Mallory Marine O-Rings are engineered and manufactured from the highest quality materials for the marine environment. All O-rings are not the same, ours are constructed from special rubber compounds such as silicone, viton, buna, and other rubber materials designed for a specific applications.

The dimensional chart below is intended for reference only and not to determine if an O-ring is suitable for a particular application.



O-RING APPLICATIONS

JOHNSON/EVINRUDE

| Mallory # | OEM # | Actual Size (In Inches) | | Actual Size (In Millimeters) | |
|-----------|--------|-------------------------|-------|------------------------------|-------|
| | | I.D. | Width | I.D. | Width |
| 9-43622 | 319085 | 1.037 | .210 | 26.34 | 5.34 |
| 9-43631 | 303097 | .362 | .103 | 9.19 | 2.62 |
| 9-43632 | 324981 | 2.987 | .103 | 75.87 | 2.62 |
| 9-48217 | 331353 | | | | |
| 9-76500 | 333572 | 0.25 | .103 | 6.35 | 2.62 |
| 9-76501 | 310327 | 1.875 | .139 | 47.625 | 3.53 |
| 9-76502 | 307239 | 1.365 | .139 | 34.671 | 3.53 |
| 9-76504 | 308626 | 1.424 | .103 | 36.17 | 2.62 |
| 9-76505 | 911851 | .924 | .103 | 23.47 | 2.62 |
| 9-76506 | 311338 | 0.75 | 0.065 | 19.05 | 1.651 |
| 9-76507 | 303360 | 1.046 | .139 | 26.57 | 3.53 |
| 9-76509 | 301877 | 0.245 | 0.155 | 6.22 | 3.937 |
| 9-76511 | 303059 | .487 | .103 | 12.37 | 2.62 |
| 9-76519 | 305739 | .239 | .070 | 6.07 | 1.78 |
| 9-76520 | 307450 | .426 | .070 | 10.82 | 1.78 |
| 9-76521 | 308627 | 2.234 | .139 | 56.75 | 3.53 |
| 9-76522 | 313893 | 2.550 | .103 | 64.77 | 2.62 |
| 9-76522 | 338518 | 2.550 | .103 | 64.77 | 2.62 |
| 9-76526 | 307853 | .208 | .070 | 5.29 | 1.78 |
| 9-76526 | 332584 | .208 | .070 | 5.29 | 1.78 |
| 9-76526 | 332598 | .208 | .070 | 5.29 | 1.78 |
| 9-76527 | 313446 | 3.359 | .139 | 85.32 | 3.53 |
| 9-76528 | 314728 | 2.112 | .103 | 53.65 | 2.62 |
| 9-76529 | 305123 | 3.734 | .139 | 94.84 | 3.53 |
| 9-76529 | 322119 | 3.734 | .139 | 94.84 | 3.53 |
| 9-76530 | 310584 | .734 | .139 | 18.64 | 3.53 |
| 9-76531 | 318372 | 0.32 | 0.155 | 8.128 | 3.937 |
| 9-76533 | 318717 | 1.475 | .210 | 37.47 | 5.34 |



INBOARD & STERNDRIVE DRIVE SYSTEM PARTS



O-RING APPLICATIONS (CONTINUED)

JOHNSON/EVINRUDE (CONTINUED)

| Mallory # | OEM # | Actual Size (In Inches) | | Actual Size (In Millimeters) | |
|-----------|--------|-------------------------|-------|------------------------------|-------|
| | | I.D. | Width | I.D. | Width |
| 9-76535 | 320303 | 2.734 | .139 | 69.44 | 3.53 |
| 9-76536 | 322119 | 2.734 | .139 | 69.44 | 3.53 |
| 9-76537 | 322501 | 1.299 | .103 | 32.99 | 2.62 |
| 9-76539 | 554545 | 1.112 | .103 | 28.25 | 2.62 |
| 9-76541 | 305270 | 1.609 | .139 | 40.87 | 3.53 |
| 9-76543 | 310585 | .737 | .103 | 18.72 | 2.62 |
| 9-76543 | 310967 | .737 | .103 | 18.72 | 2.62 |
| 9-76547 | 302337 | 1.984 | .139 | 50.40 | 3.53 |
| 9-76549 | 310414 | 3.984 | .139 | 101.19 | 3.53 |
| 9-76550 | 202893 | .364 | .070 | 9.25 | 1.78 |
| 9-76551 | 911686 | 3.484 | .139 | 88.49 | 3.53 |
| 9-76552 | 553126 | 3.234 | .139 | 82.14 | 3.53 |
| 9-76553 | 326649 | .612 | .103 | 15.54 | 2.62 |
| 9-76553 | 910582 | .612 | .103 | 15.54 | 2.62 |
| 9-76555 | 320140 | .921 | .139 | 23.40 | 3.53 |
| 9-76556 | 303347 | 0.445 | 0.09 | 11.303 | 2.286 |
| 9-76567 | 909316 | 1.487 | .103 | 37.77 | 2.62 |
| 9-76571 | 332583 | 0.25 | 0.065 | 6.35 | 1.651 |
| 9-76571 | 332584 | 0.25 | 0.065 | 6.35 | 1.651 |
| 9-76574 | 301967 | .799 | .103 | 20.29 | 2.62 |
| 9-76651 | 308621 | 3.109 | .139 | 78.97 | 3.53 |
| 9-76652 | 908383 | 2.487 | .103 | 63.17 | 2.62 |
| 9-76653 | 336982 | | | | |
| 9-76654 | 909747 | .364 | .070 | 9.25 | 1.78 |

MERCURY

| Mallory # | OEM # | Actual Size (In Inches) | | Actual Size (In Millimeters) | |
|-----------|---------------------|-------------------------|-------|------------------------------|-------|
| | | I.D. | Width | I.D. | Width |
| 9-43631 | 25-62704 | .362 | .103 | 9.19 | 2.62 |
| 9-76500 | 26-64068 | 0.25 | .103 | 6.35 | 2.62 |
| 9-76501 | 25-30224 | 1.875 | .139 | 47.625 | 3.53 |
| 9-76502 | 25-33504 | 1.365 | .139 | 36.671 | 3.53 |
| 9-76504 | 25-45710 | 1.424 | .103 | 36.17 | 2.62 |
| 9-76505 | 25-25439 | .862 | .103 | 21.90 | 2.62 |
| 9-76506 | 25-62705 | 0.75 | 0.065 | 19.05 | 1.651 |
| 9-76507 | 25-35027 | 1.046 | .139 | 26.57 | 3.53 |
| 9-76516 | 25-54029 / 25-33465 | 2.425 | .103 | 61.60 | 2.62 |
| 9-76520 | 25-62706 | .426 | .070 | 10.82 | 1.78 |
| 9-76526 | 25-38933 | .208 | .070 | 5.29 | 1.78 |
| 9-76530 | 25-35276 | .734 | .139 | 18.64 | 3.53 |
| 9-76537 | 25-65936 | 1.299 | .103 | 32.99 | 2.62 |
| 9-76539 | 25-47632 | 1.112 | .103 | 28.25 | 2.62 |
| 9-76540 | 25-20081 | 2.862 | .103 | 72.70 | 2.62 |
| 9-76541 | 25-26855 | 1.609 | .139 | 40.87 | 3.53 |
| 9-76542 | 25-29976 | 3.475 | .210 | 88.27 | 5.34 |
| 9-76543 | 25-30613 | .737 | .103 | 18.72 | 2.62 |



INBOARD & STERNDRIVE DRIVE SYSTEM PARTS



O-RING APPLICATIONS (CONTINUED)

MERCURY (CONTINUED)

| Mallory # | OEM # | Actual Size (In Inches) | | Actual Size (In Millimeters) | |
|-----------|-----------|-------------------------|--------|------------------------------|--------|
| | | I.D. | Width | I.D. | Width |
| 9-76544 | 25-31534 | 3.850 | .210 | 97.79 | 5.34 |
| 9-76545 | 25-31986 | 2.225 | .210 | 56.52 | 5.34 |
| 9-76546 | 25-32546 | 3.239 | .070 | 82.27 | 1.78 |
| 9-76547 | 25-33145 | 1.984 | .139 | 50.40 | 3.53 |
| 9-76549 | 25-47254 | 3.984 | .139 | 101.19 | 3.53 |
| 9-76550 | 25-48171 | .364 | .070 | 9.25 | 1.78 |
| 9-76551 | 25-70937 | 3.484 | .139 | 88.49 | 3.53 |
| 9-76552 | 25-31305 | 3.234 | .139 | 82.14 | 3.53 |
| 9-76553 | 25-45711 | .612 | .103 | 15.54 | 2.62 |
| 9-76554 | 25-90011 | 2.175 | .103 | 55.25 | 2.62 |
| 9-76555 | 125017-4 | .921 | .139 | 23.40 | 3.53 |
| 9-76560 | 25-38099 | 2.109 | .139 | 53.57 | 3.53 |
| 9-76561 | 25-29619 | 0.625 | .103 | 15.875 | 2.62 |
| 9-76564 | 25-69202 | 2.675 | .103 | 67.95 | 2.62 |
| 9-76565 | 25-21836 | .796 | .139 | 20.22 | 3.53 |
| 9-76568 | 25-55801 | .801 | .070 | 20.35 | 1.78 |
| 9-76569 | 25-97386 | 3.609 | .139 | 91.67 | 3.53 |
| 9-76574 | 25-36318 | .799 | .103 | 20.29 | 2.62 |
| 9-76578 | 25-805726 | 2.48 | 0.1969 | 62.992 | 5 |
| 9-76579 | 25-85594 | 0.239 | 0.174 | 6.0706 | 4.4196 |
| 9-76581 | 25-97387 | 4.487 | .103 | 113.97 | 2.62 |
| 9-76651 | 25-35029 | 3.109 | .139 | 78.97 | 3.53 |

VOLVO

| Mallory # | OEM # | Actual Size (In Inches) | | Actual Size (In Millimeters) | |
|-----------|---------|-------------------------|-------|------------------------------|-------|
| | | I.D. | Width | I.D. | Width |
| 9-43631 | 3852045 | .632 | 0.103 | 9.19 | 2.62 |
| 9-76505 | 3852565 | 0.924 | .103 | 23.47 | 2.62 |
| 9-76520 | 3852073 | 0.426 | .070 | 10.82 | 1.78 |
| 9-76530 | 3852089 | 0.734 | .139 | 18.64 | 3.53 |
| 9-76537 | 3852169 | 1.299 | .103 | 32.99 | 2.62 |
| 9-76547 | 3852044 | 1.984 | .139 | 50.40 | 3.53 |
| 9-76550 | 3852033 | 0.364 | .070 | 9.25 | 1.78 |
| 9-76555 | 125017 | 0.921 | .139 | 23.4 | 3.53 |
| 9-76556 | 925055 | 0.445 | .090 | 11.303 | 2.286 |
| 9-76557 | 925093 | 2.675 | .103 | 67.95 | 2.62 |
| 9-76559 | 955983 | 0.361 | .065 | 9.1694 | 1.651 |



**SERVICE, QUALITY, VALUE,
PERFORMANCE**

All Mallory Marine products are backed by our industry leading 2 year parts and labor warranty.



MERCURISER O-RINGS

| Stern Drive Model | S/N | Upper Unit Housing O-Rings | | | Lower Unit Housing O-Rings | | |
|-------------------|---------------------|-----------------------------------|---------|---|----------------------------|---------------------|---|
| | | Bearing Carrier (Drive Yoke Seal) | Top Cap | Drive Yoke | Prop Shaft Bearing Carrier | Shift Shaft Bushing | Water Pump Base |
| R | 2062141- 6225576 | 9-76551 | 9-76546 | 9-76505 | 9-76544 | 9-76505 | 9-76547 |
| MR/Alpha I | 6225577- OD469858 | 9-76551 | 9-76546 | 9-76505 | 9-76544 | 9-76505 | 9-76554 (2.17 I.D.) 9-76560 (2.109 I.D.) |
| Alpha I Gen II | OD469859 - 0K999999 | 9-76551 | 9-76546 | n/a (.924 I.D.) 9-76507 (1.046 I.D.) | 9-76544 | 9-76594 @ 2 | 9-76554 (2.17 I.D.) |
| Alpha I Gen II | 0L100040 & UP | 9-76551 | 9-76546 | n/a (.924 I.D.) 9-76507 (1.046 I.D.) | 9-76544 | 9-76594 @ 2 | 9-76554 (2.17 I.D.) |

OMC UPPER UNIT HOUSING O-RINGS

| Stringer Models | Years | Steering Worm | Top Cover | Ball Gear Retainer Hsg | Drive Shaft ball Gear | Drive Shaft Impeller Hsg | Water Cover |
|--------------------|---------|---------------|-----------|------------------------|-----------------------|--------------------------|-------------|
| 100-245 | 1968-72 | 9-76501 | — | 9-76651 | 9-76543/9-76539 | 9-76552 | 9-76504 |
| All Stringer Units | 1973-86 | 9-76501 | — | 9-76651 | — | 9-76552 | N/A |

OMC LOWER UNIT HOUSING O-RINGS

| Stringer Models | Years | Retainer Screws Gearcase Head Bearing Carrier | Drive Shaft | Gearcase Head Bearing Carrier | Retainer Shift Assy | Pinion Shaft Shift Assy | Water Cover |
|------------------------|---------|---|-------------|-------------------------------|---------------------|-------------------------|-------------|
| 100-245 | 1968-77 | — | — | 9-76549 | N/A | N/A | 9-76504 |
| 4 cyl (400 series) | 1978-86 | 9-76571 | 9-76528 | 9-76527 | 9-76520 | 9-76654 | |
| V-6 & V-8 (800 series) | 1978-86 | 9-76571 | 9-76528 | 9-76529 | 9-76520 | 9-76654 | |

OMC INTERMEDIATE HOUSING O-RINGS

| Stringer Models | Years | Ball Gear Retainer | Sleeve to Hsg (Tilt Motor) | Pivot Bushing |
|-----------------|---------|--------------------|----------------------------|---------------|
| 100-245 | 1968-72 | — | 9-76547 | 9-76504 |
| 100-245 | 1973-77 | 9-76652 | 9-76547 | 9-76504 |
| ALL | 1978-86 | 9-76652 | 9-76547 | 9-76504 |